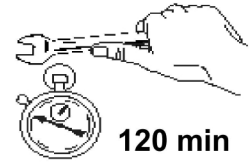
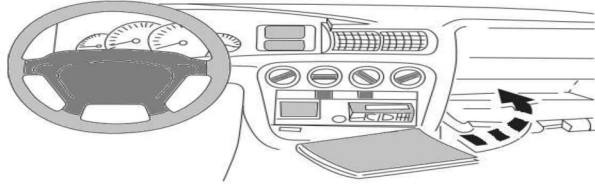




SIARR
WESTFALIA

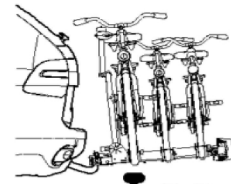
PEUGEOT 2008



6,71 KN



SI 207
e24*55R*01 0336
SI 208
e24*55R*01 0337

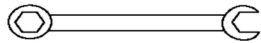
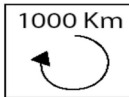
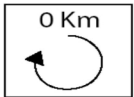


2 MAXI

50 Kg MAXI



30 Kg MAXI



1150 Kg

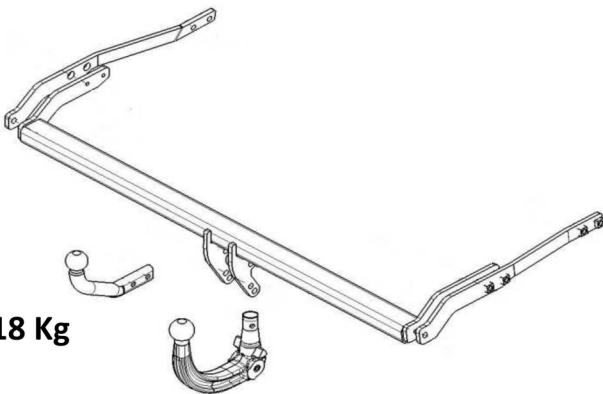


55 kg



REF. WESTFALIA : 350030600001

REF. SIARR : 8570



18 Kg



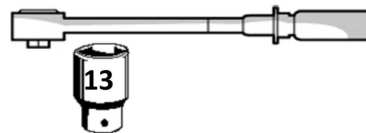
21 Kg

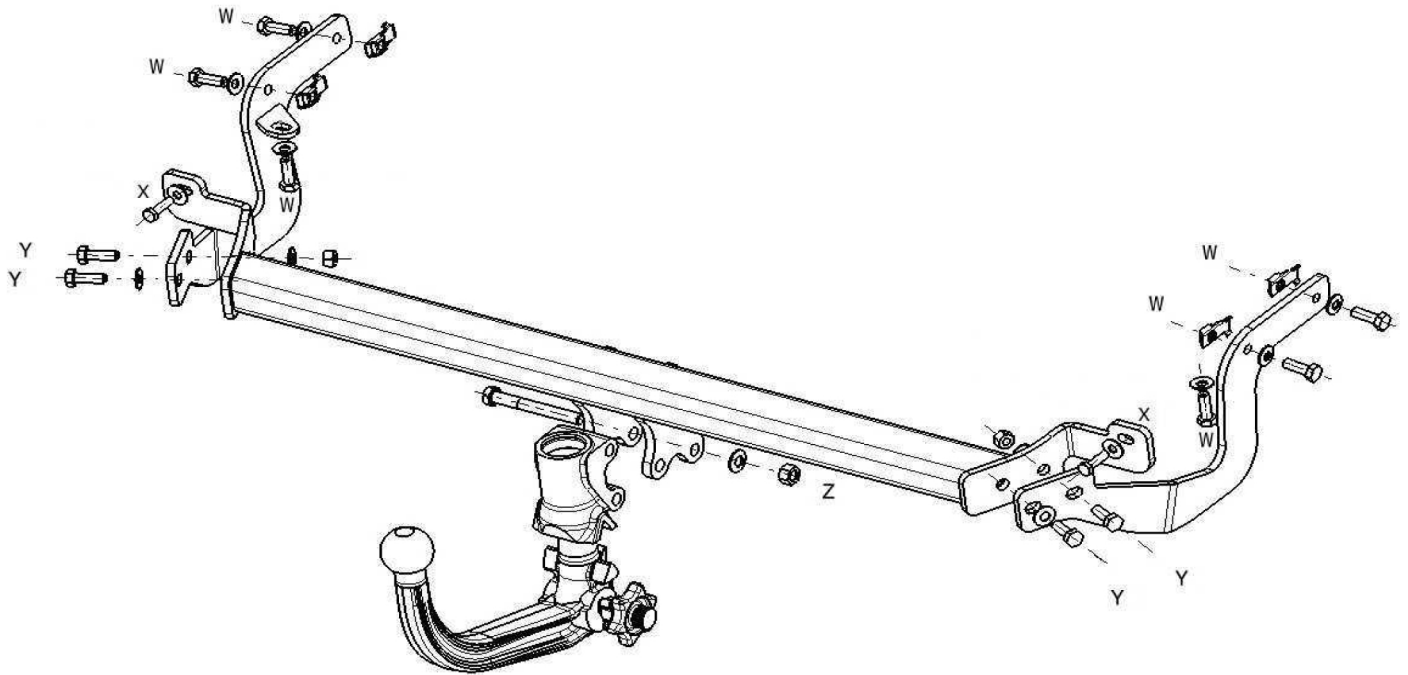


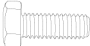


13 - 16 - 17 - 18 - 19

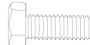







18 - 19

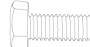






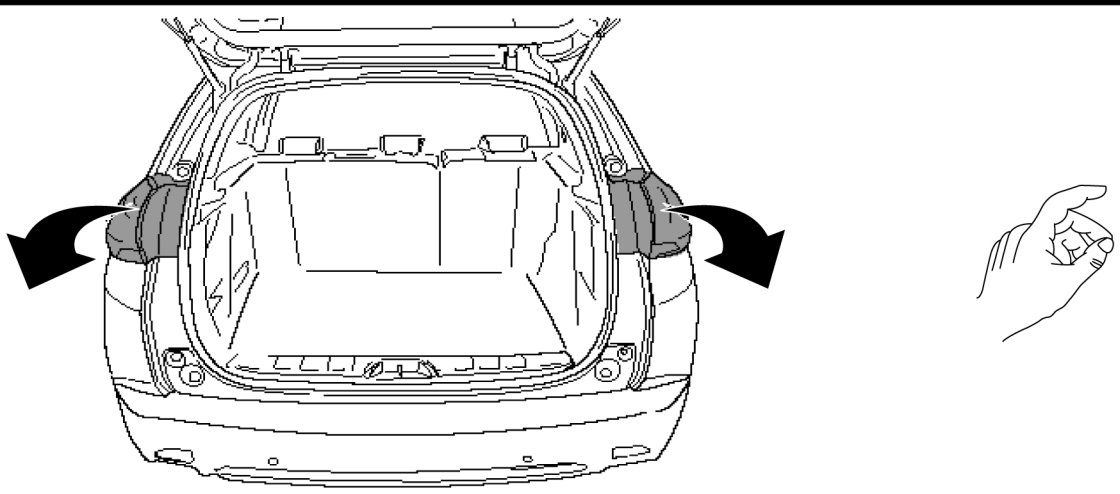
X	 HM 8 x 30 Cl 8.8	2
	 L8 / 22	2
	 CS 8	2

Y	 HM 10 x 30 Cl 8.8	4
	 M 10 Cl8	2
	 CS 10	4

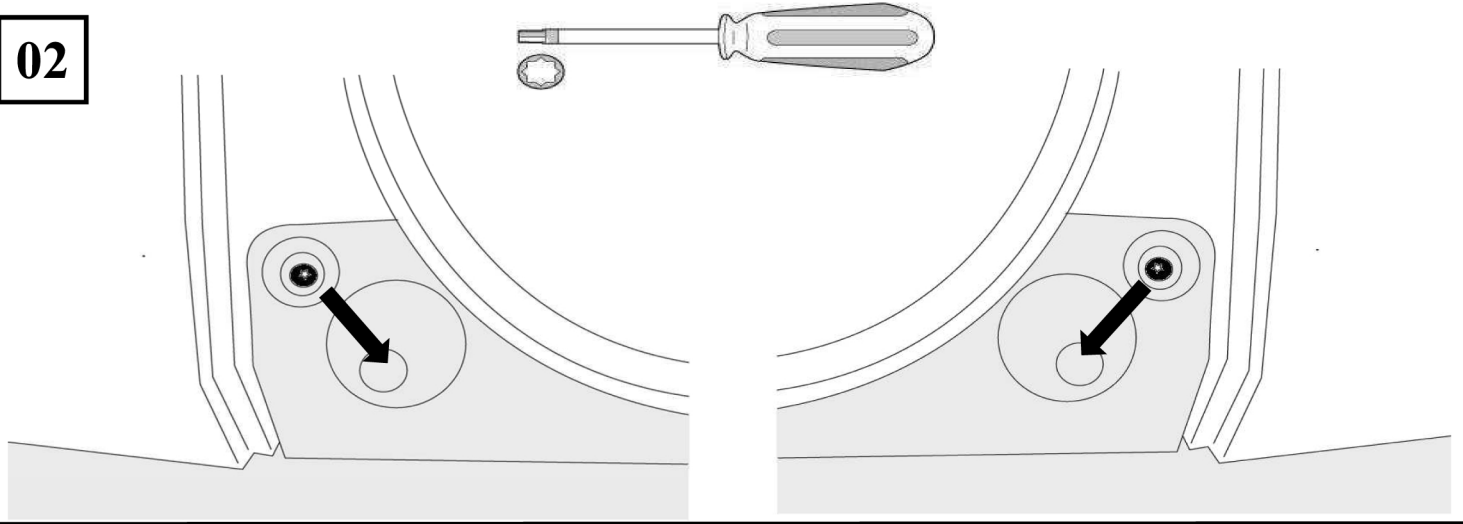
Z	 HM 12 x 100 Cl 10.9	2
	 M 12 Cl10	2
	 CS 12	2

W	 HM 10 x 30 Cl 8.8	6
	 CS 10	6
	 CL 4864 5 150	4

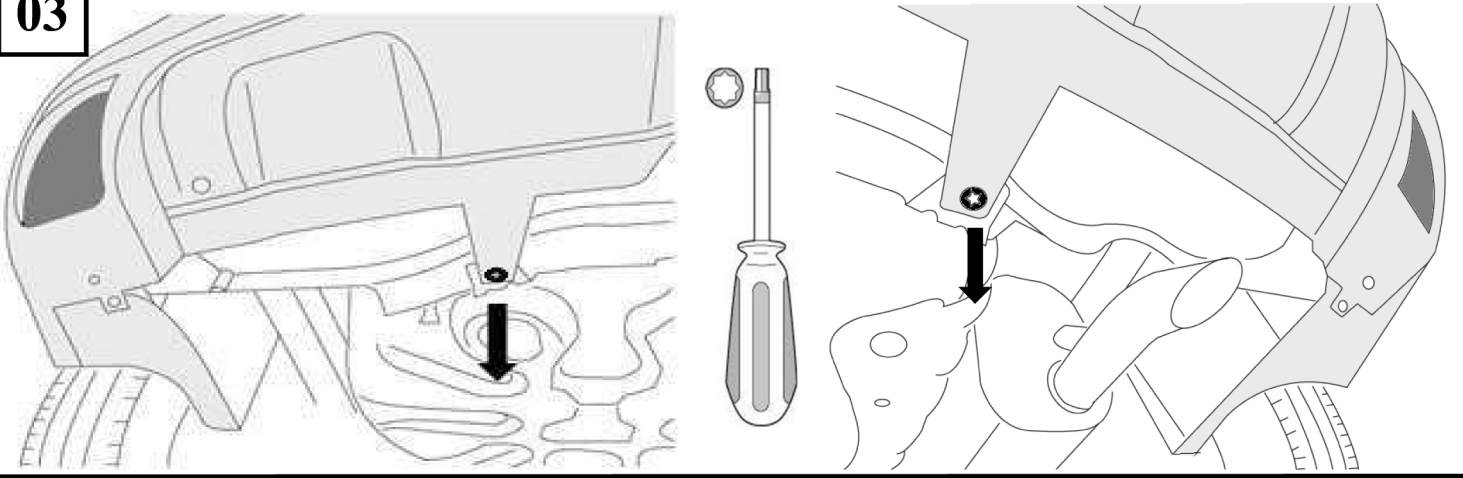
01



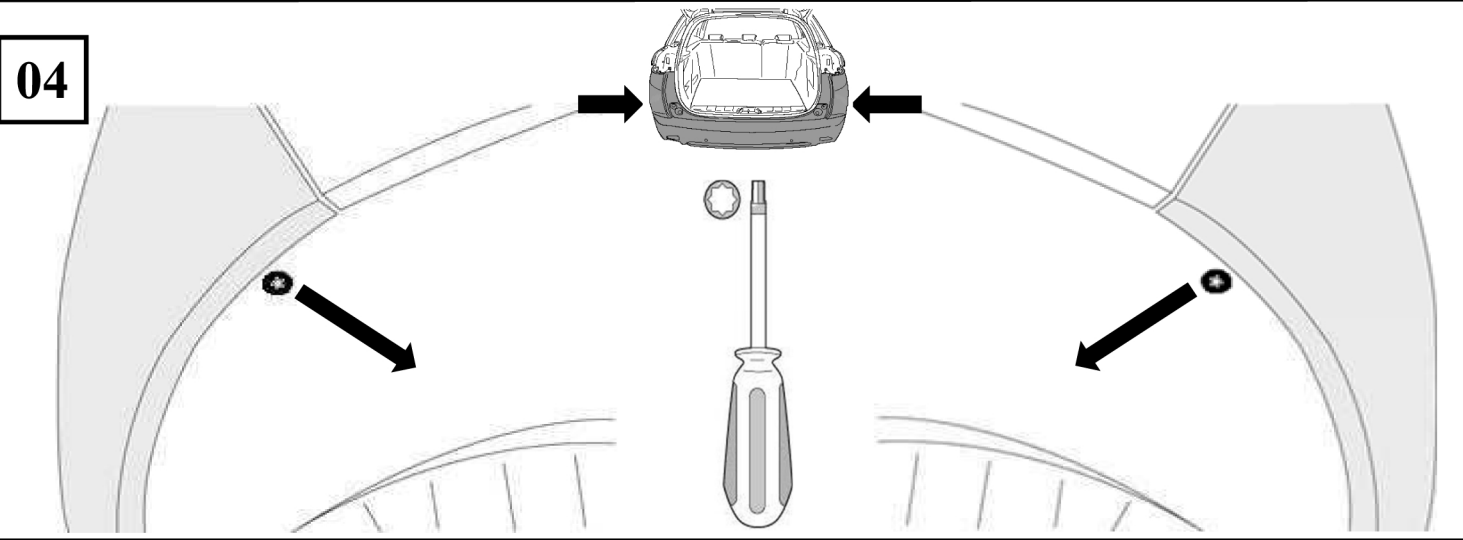
02



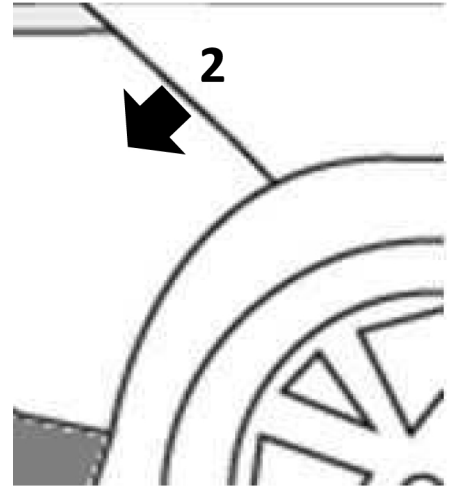
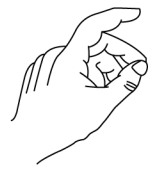
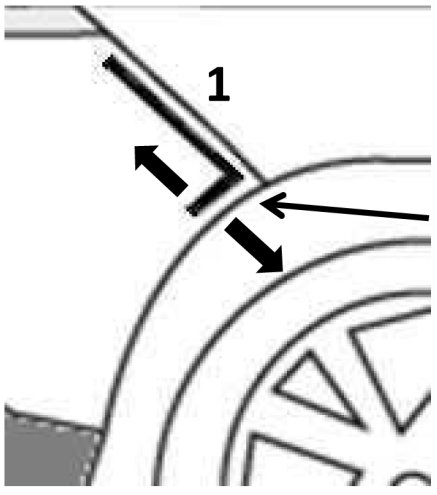
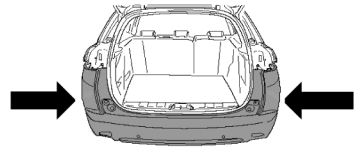
03



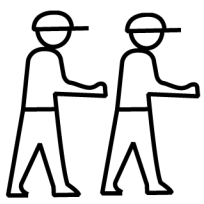
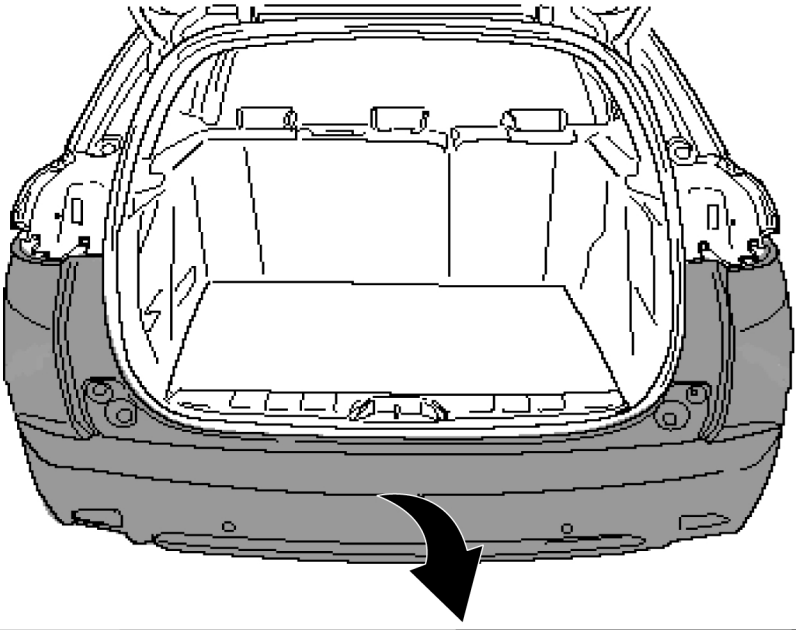
04



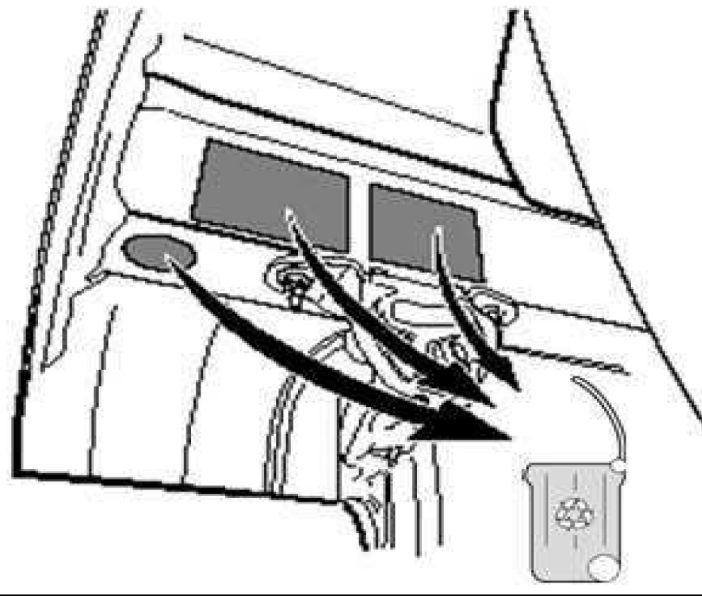
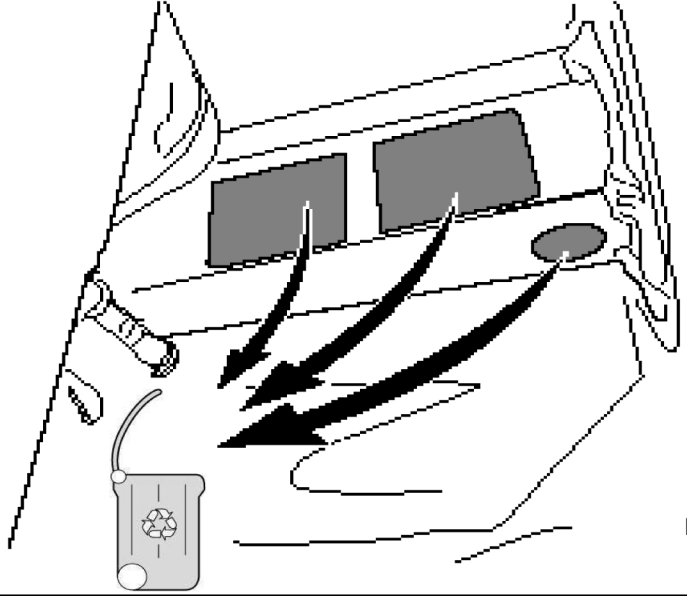
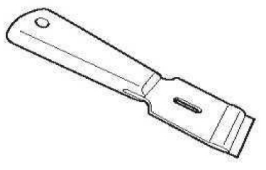
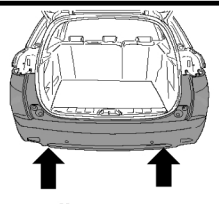
05



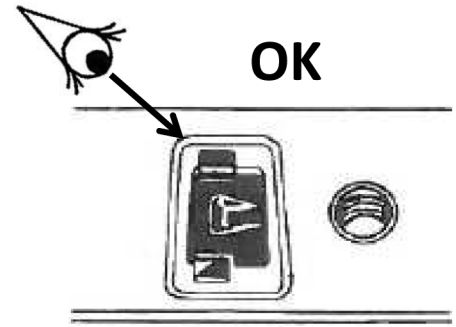
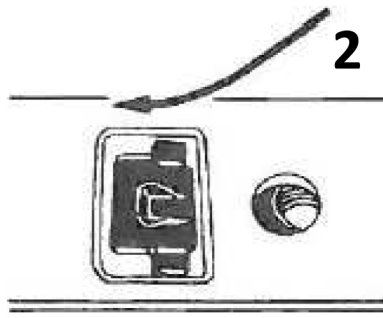
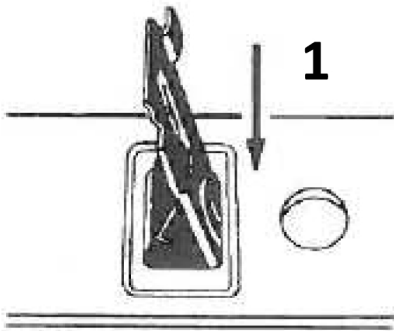
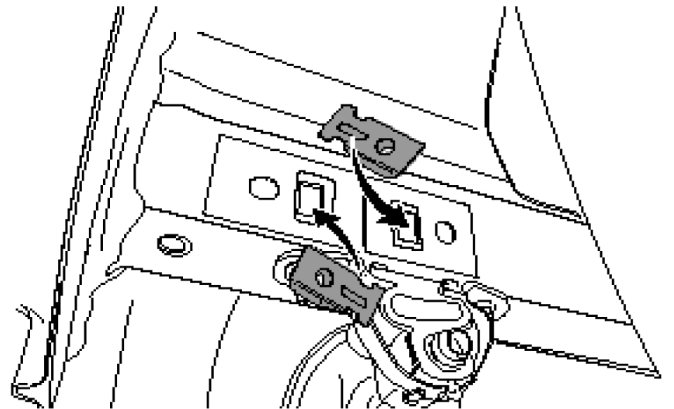
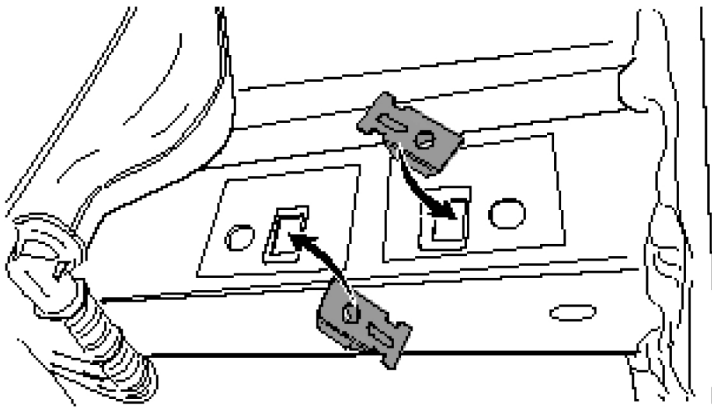
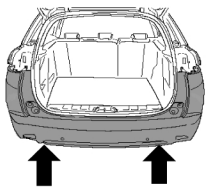
06



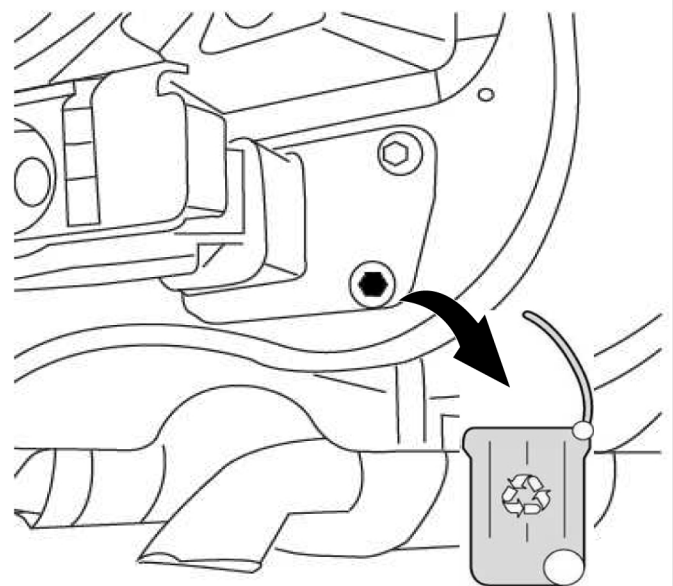
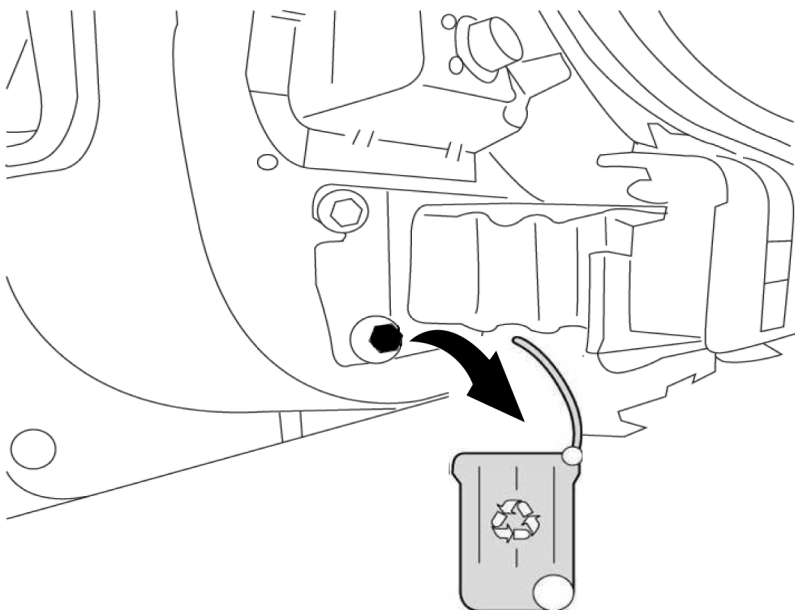
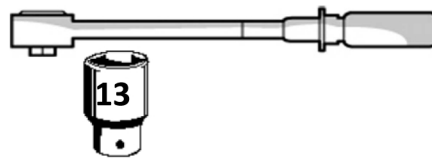
07



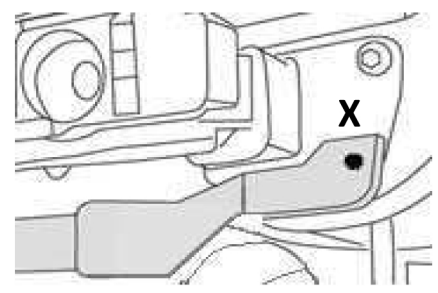
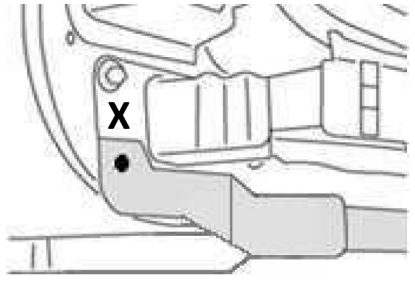
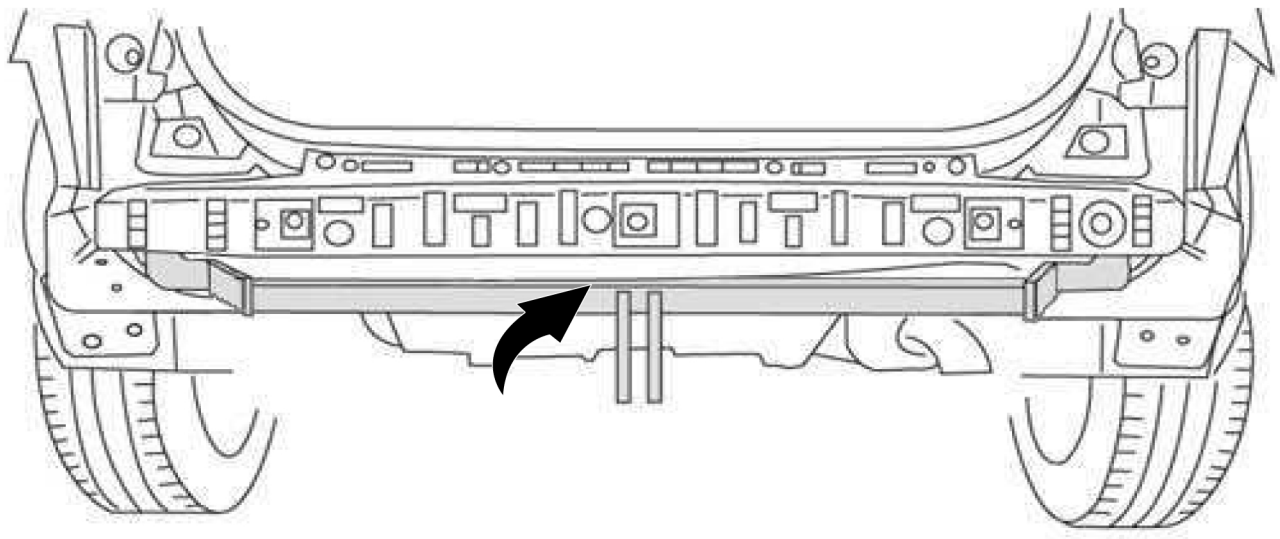
08



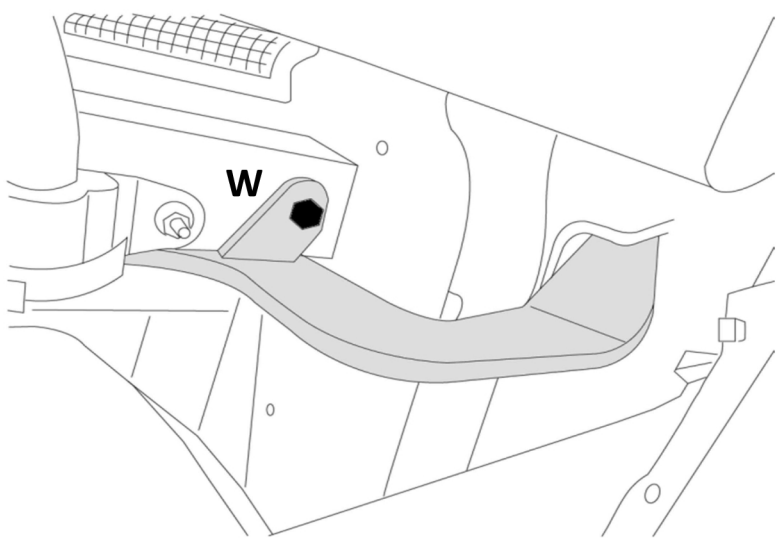
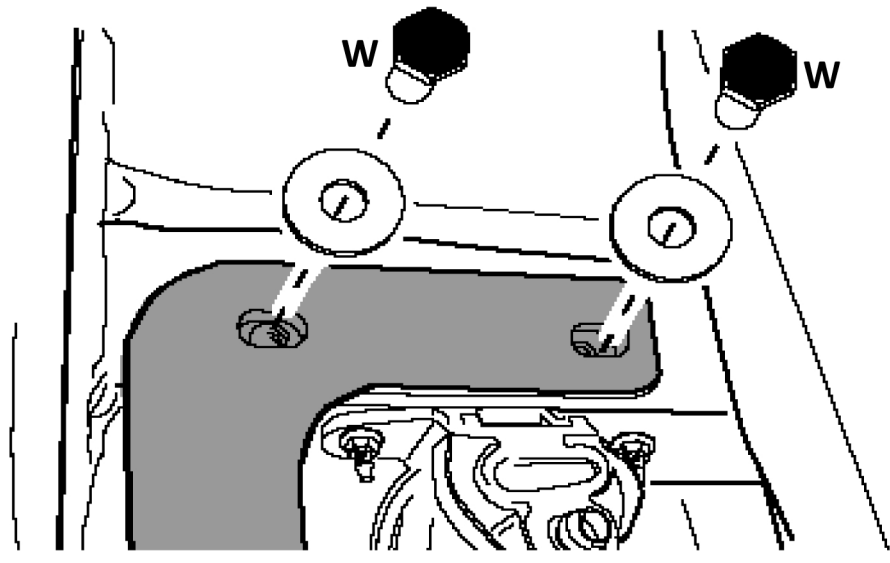
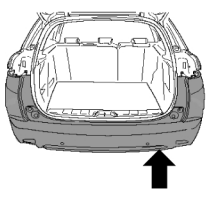
09



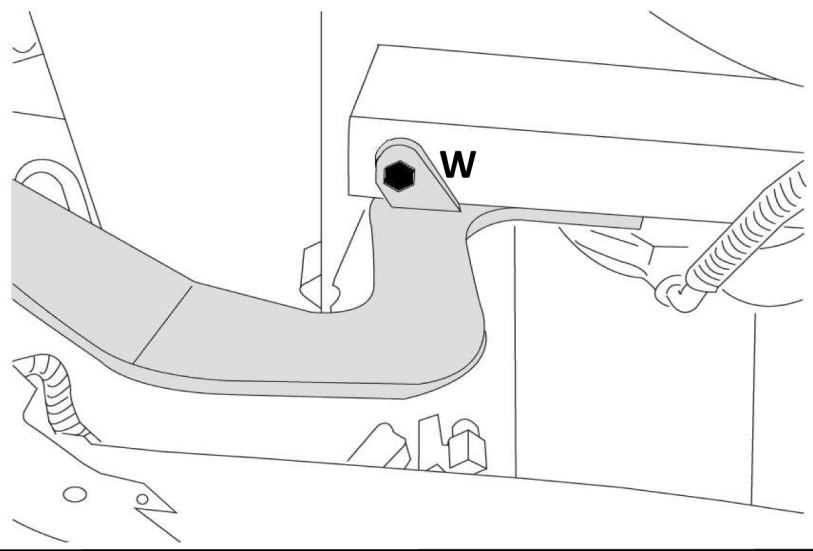
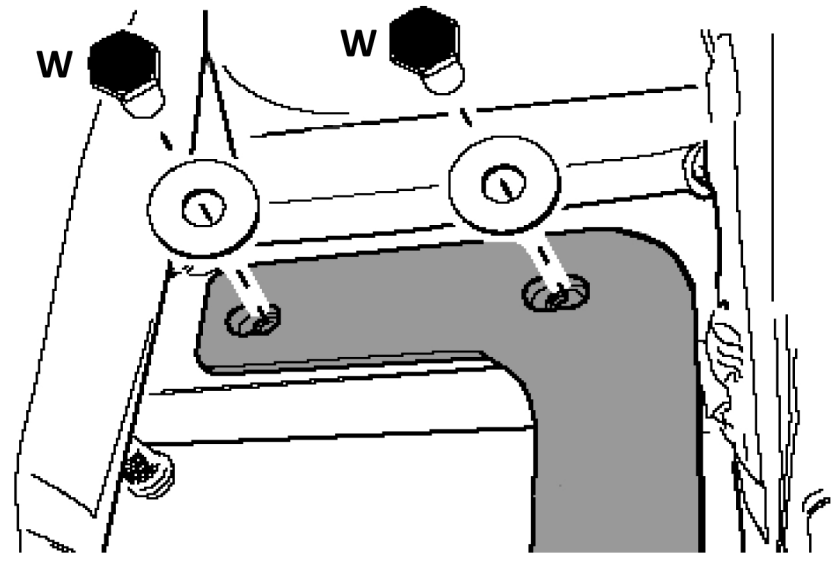
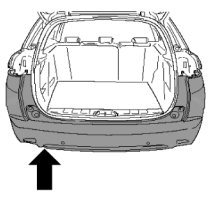
10



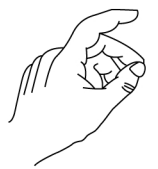
11



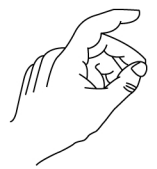
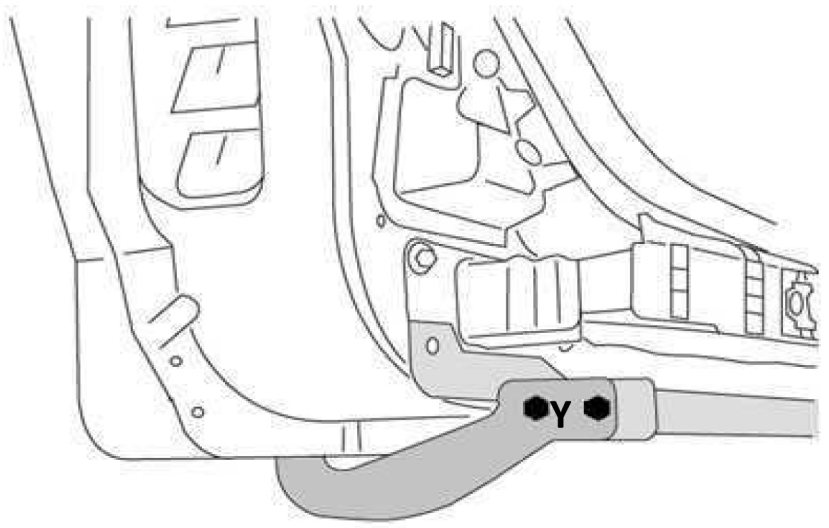
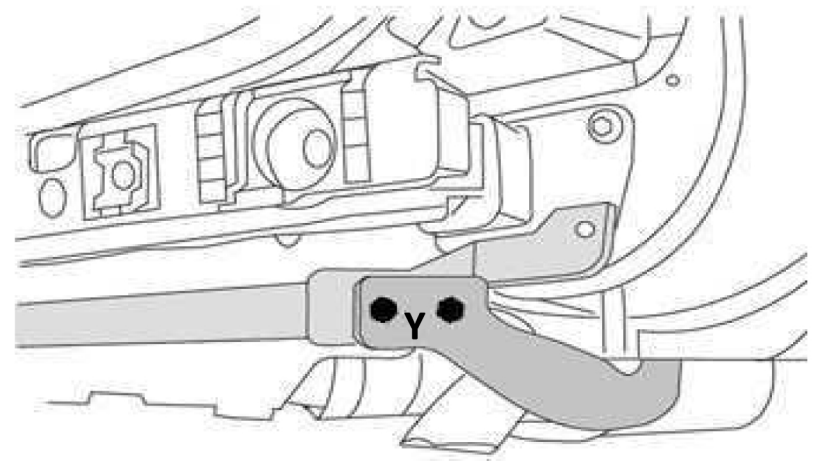
12



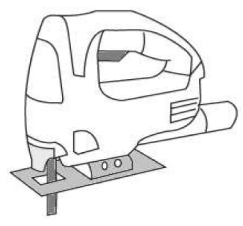
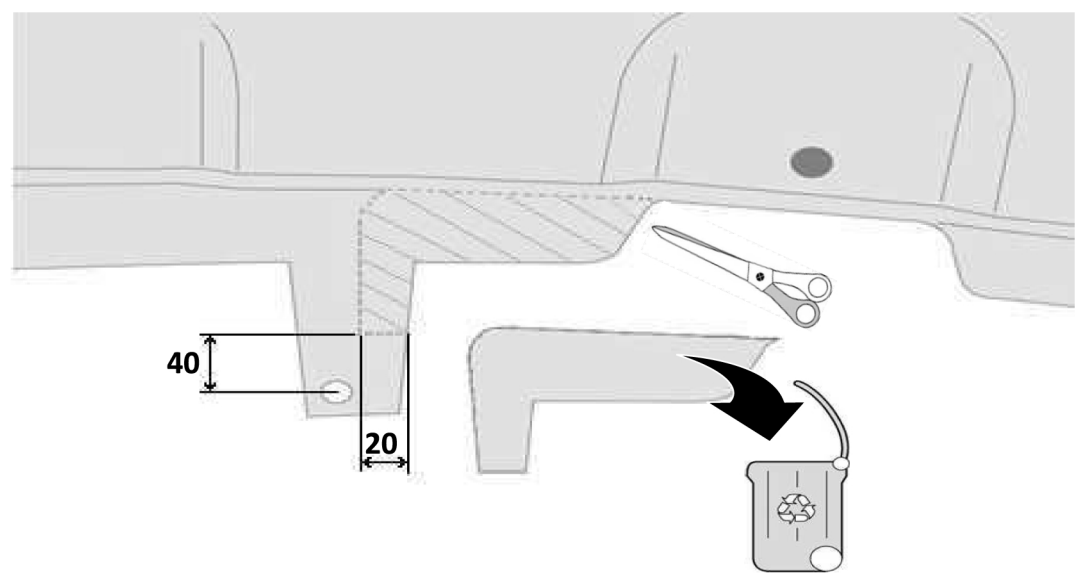
1



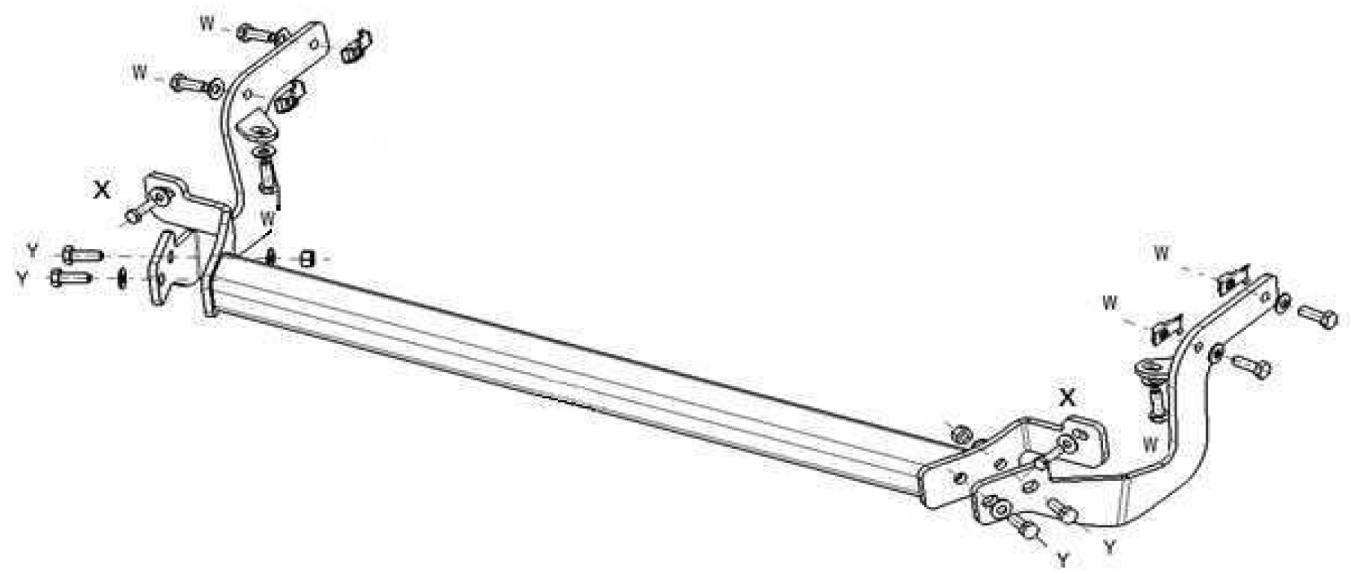
13



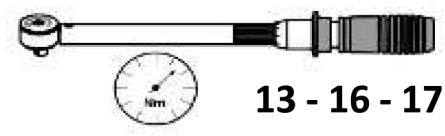
14



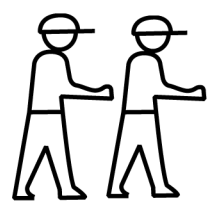
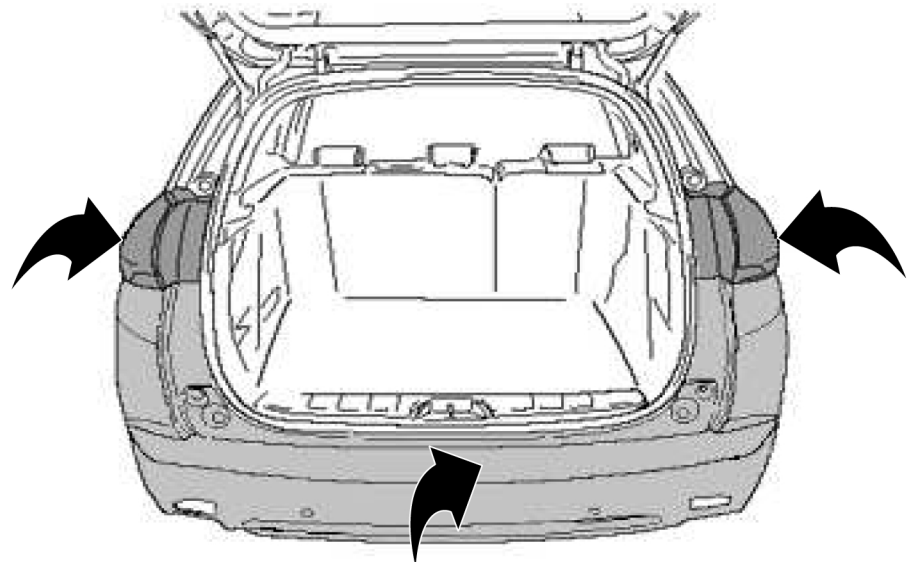
15



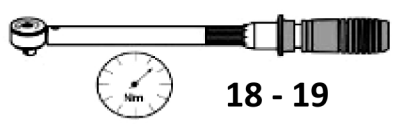
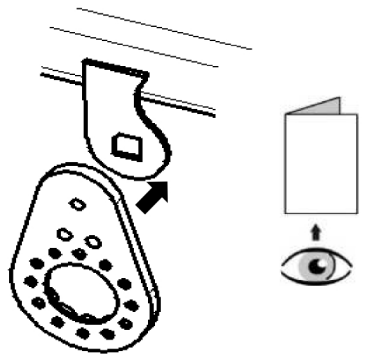
M10 - cl8 47 Nm (W - Y)
M8 - cl8 23 Nm (X)



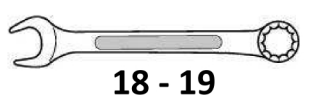
16



18



18 - 19



18 - 19



M12 - cl10
114 Nm

