

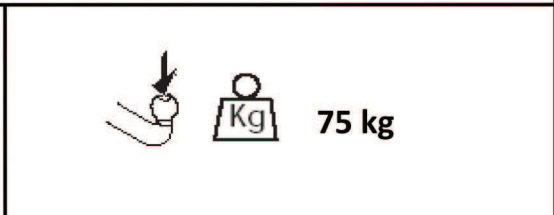
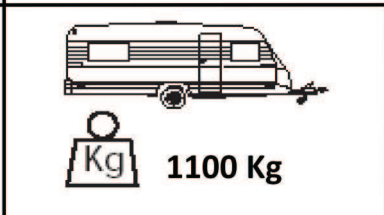


**SIARR**  
**WESTFALIA**

**1650 Kg SANDERO 2013 >**

**SANDERO STEPWAY 2013 >**

**LOGAN 2013 >**

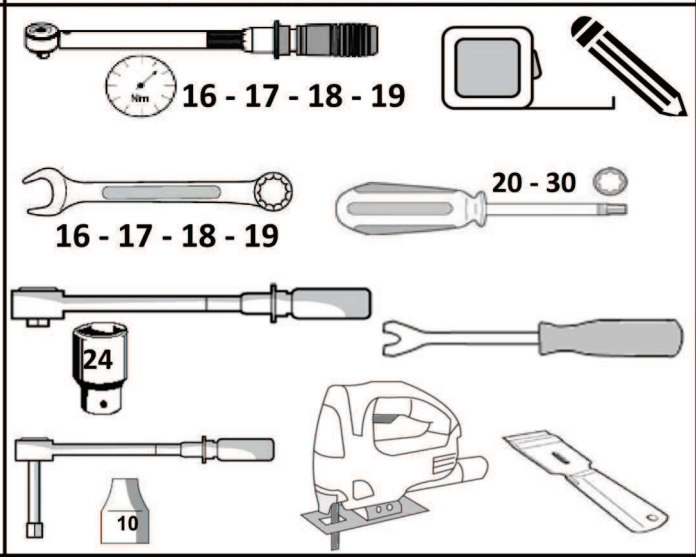
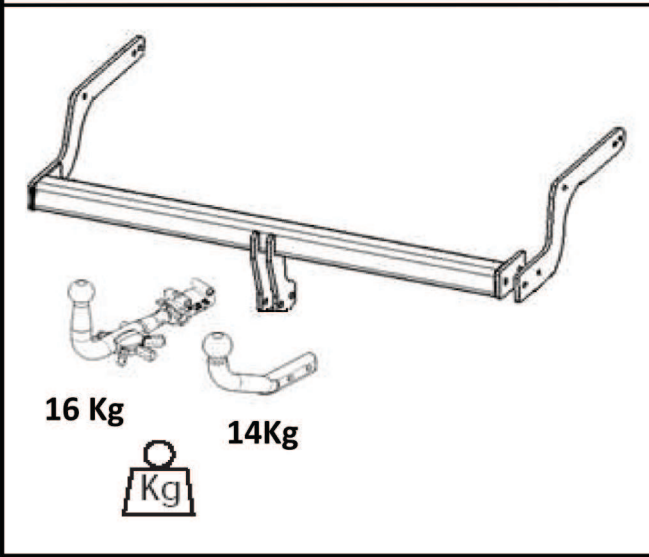
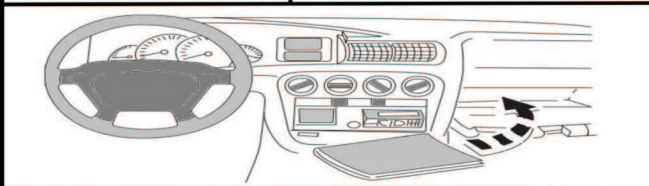
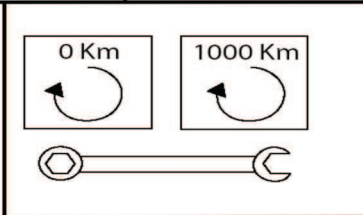
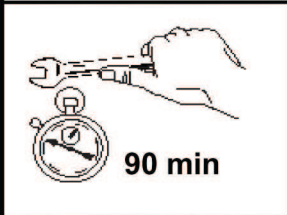
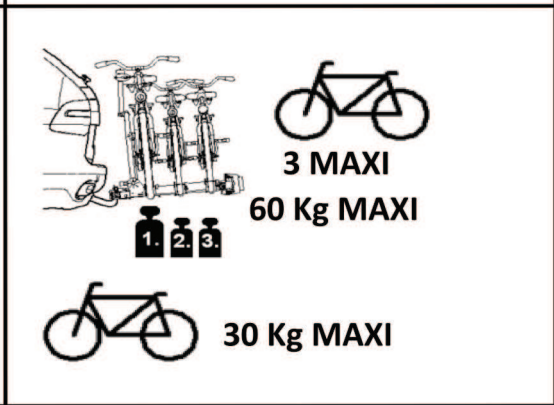


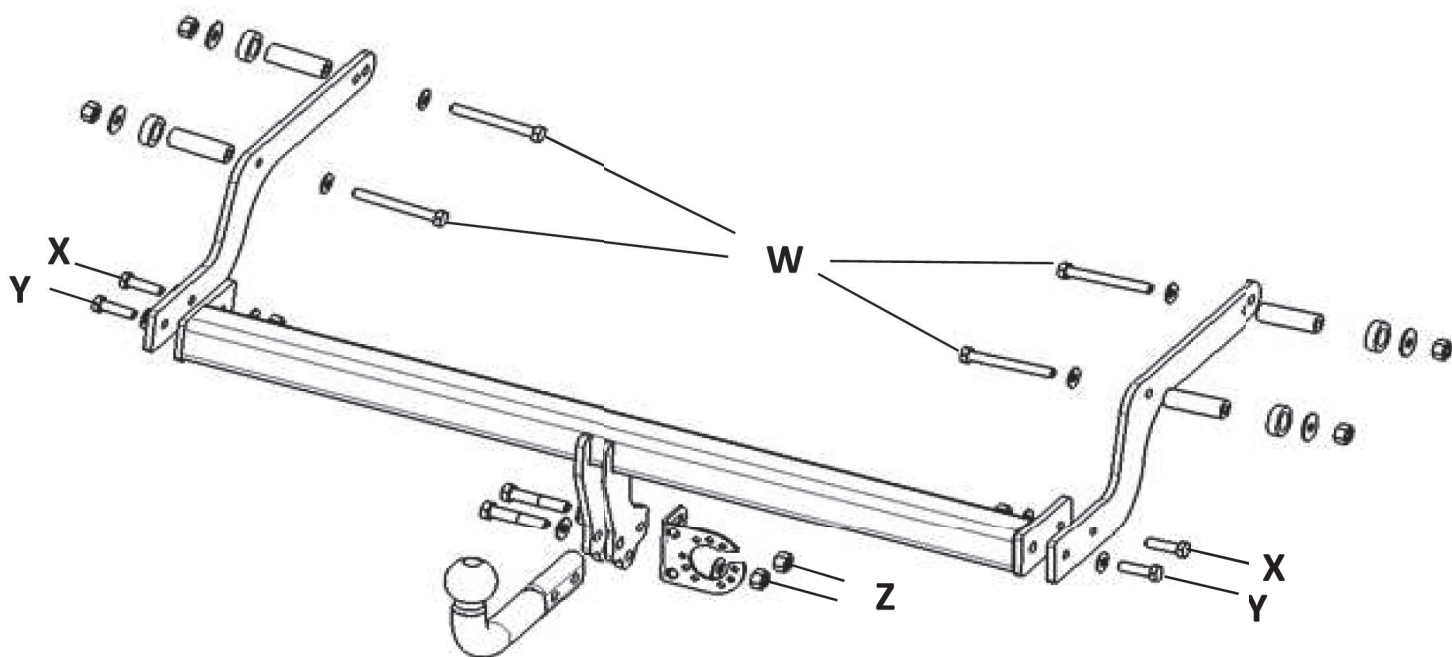
**D** **6,47 KN**
















**EC Certified**

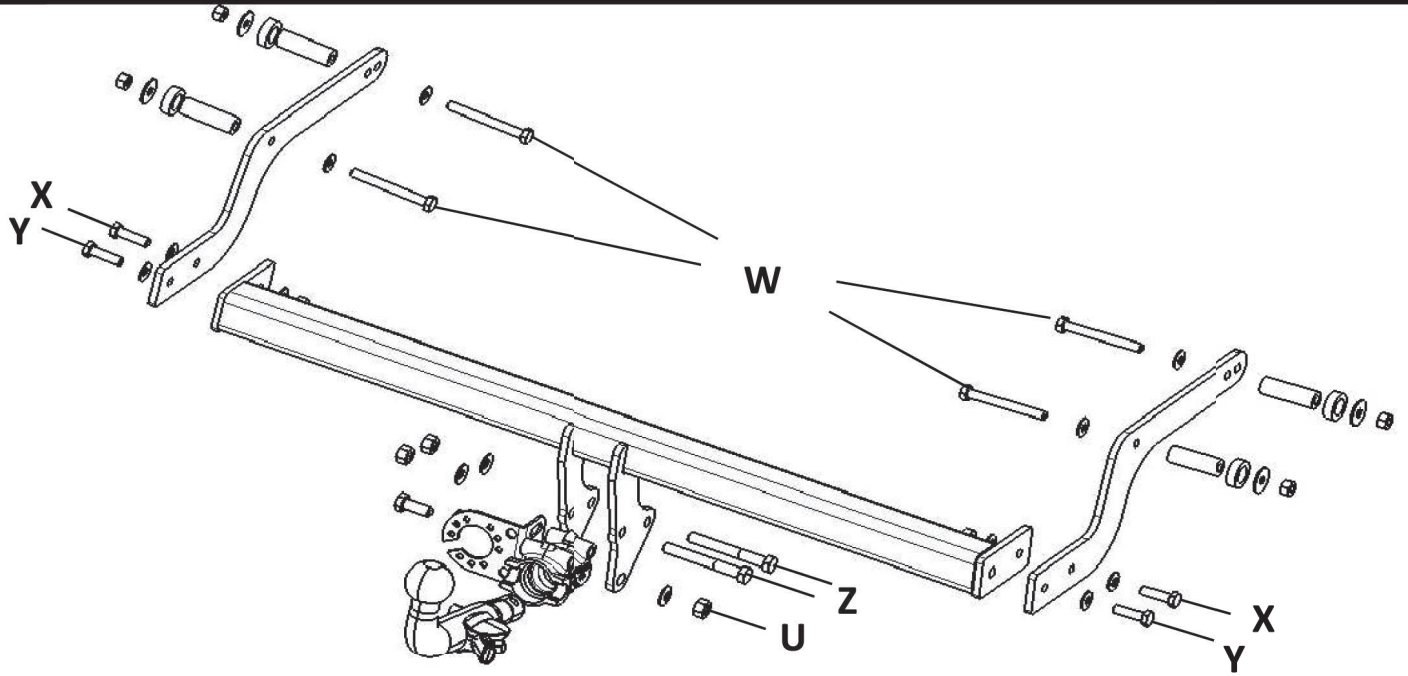
SI 201  
e24\*55R\*01 0319

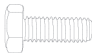


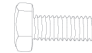

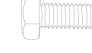












SI 202  
e24\*55R\*01 0320



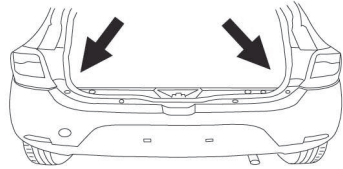


<b>X</b>	 HM 10 x 35 Cl 8.8	2
	 M10 Cl8	2
	 CS 10	2
<b>Y</b>	 HM 10 x 35 Cl 8.8	2
	 CS 10	2
<b>W</b>	 HM 10 x 90 Cl 8.8	4
	 M10 Cl8	4
	 CS 10	4
	 L 10 / 36 x 2	4
	 32 / 20 x 10	4
	 20 / 10 x 60	4
<b>Z</b>	 HM 12 x 60 Cl 8.8	2
	 M12 Cl8	2
	 CS 12	2
	 L 12 / 27	1

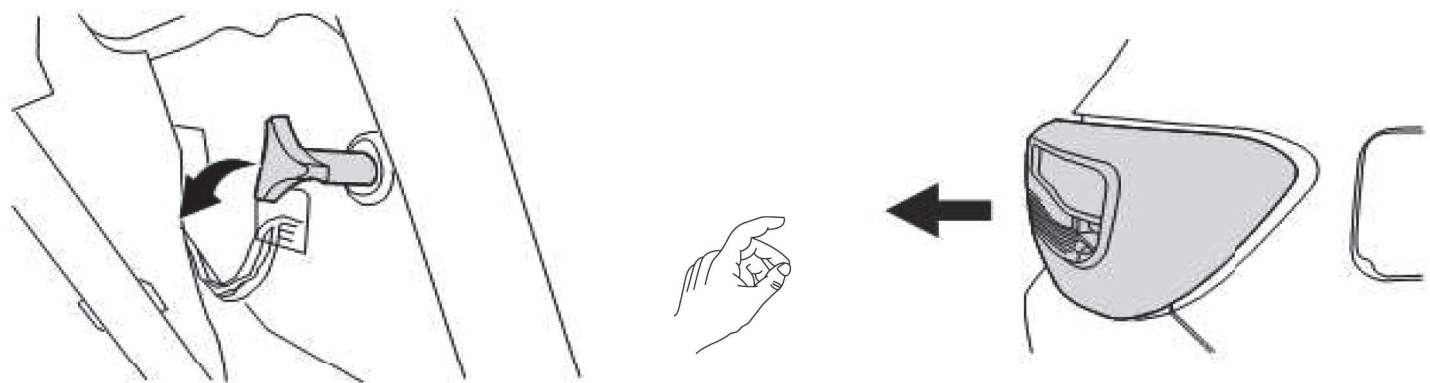


<b>X</b>	 HM 10 x 35 Cl 8.8	2
	 M10 Cl8	2
	 CS 10	2
<b>Y</b>	 HM 10 x 35 Cl 8.8	2
	 CS 10	2
<b>W</b>	 HM 10 x 90 Cl 8.8	4
	 M10 Cl8	4
	 CS 10	4
	 L 10 / 36 x2	4
	 32 / 20 x 10	4
	 20 / 10 x 60	4
<b>Z</b>	 HM 12 x 90 Cl 10.9	2
	 M12 Cl10	2
		
<b>U</b>	 HM 12 x 30 Cl 8.8	1
	 M12 Cl10	1
	 CS 12	1
	 L12 / 27	1

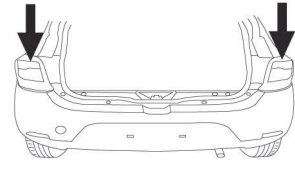
01



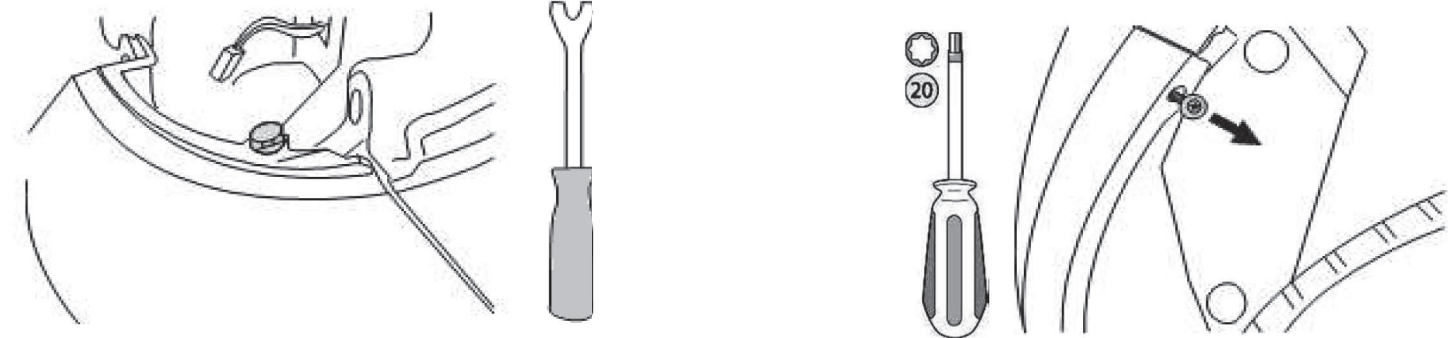
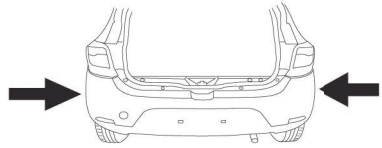
SANDERO  
SANDERO STEPWAY



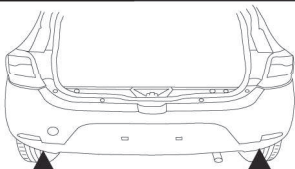
02



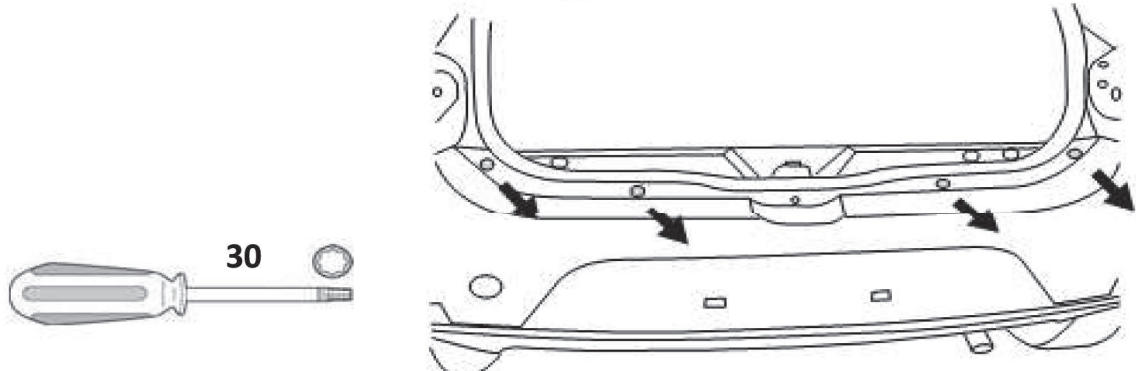
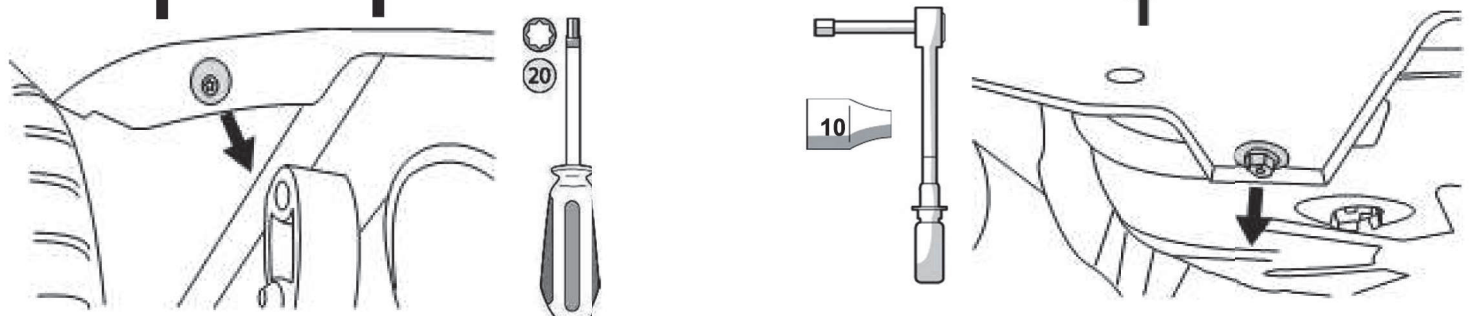
SANDERO  
SANDERO STEPWAY



03



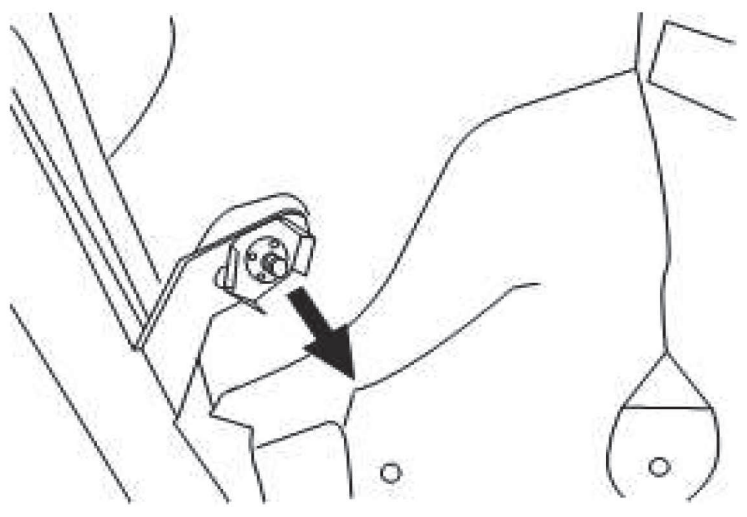
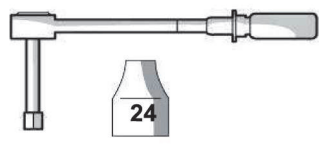
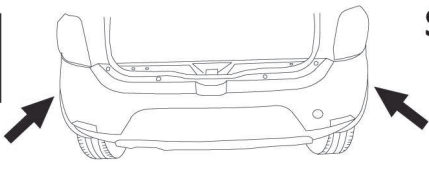
SANDERO  
SANDERO STEPWAY





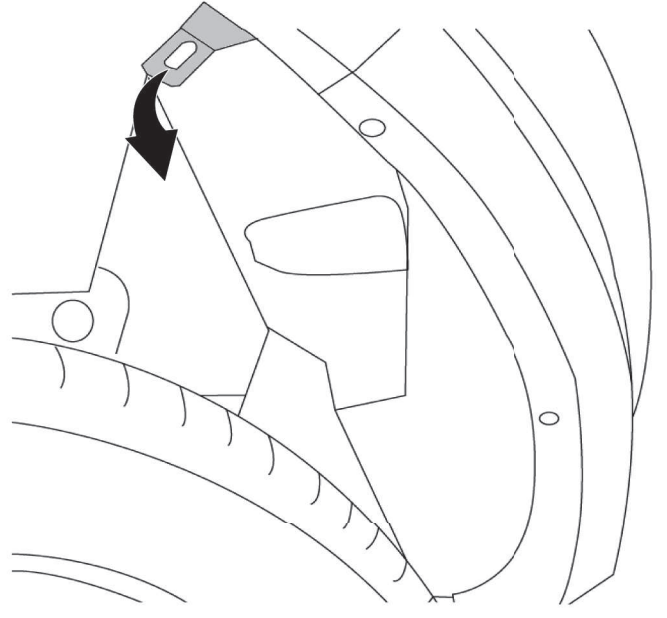
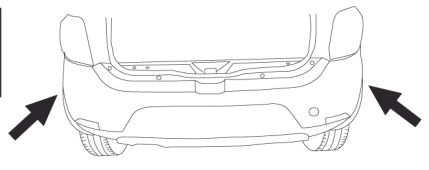
04

SANDERO STEPWAY



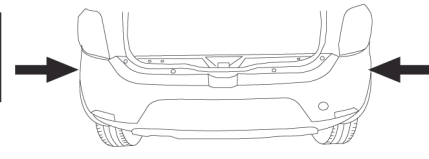
05

SANDERO STEPWAY



06

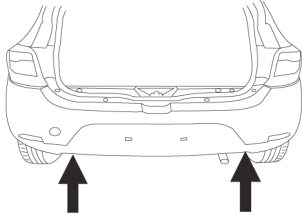
SANDERO STEPWAY



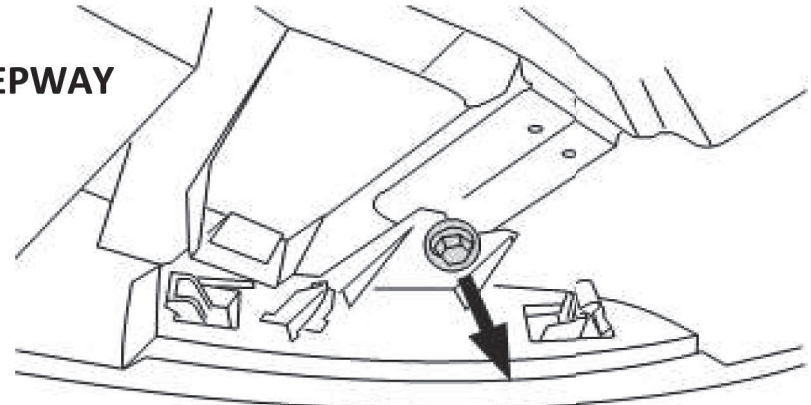
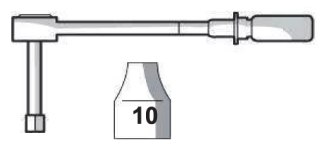
! 20 mm



07

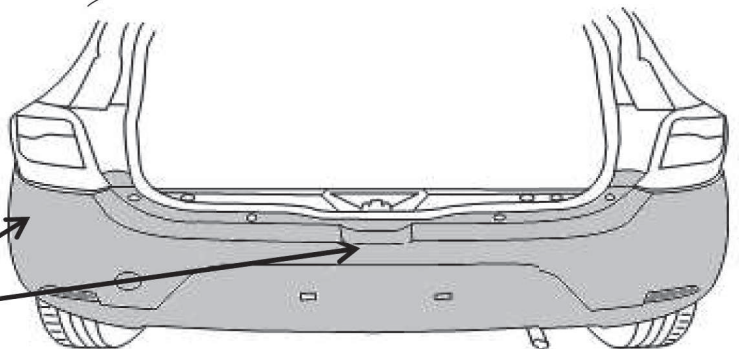
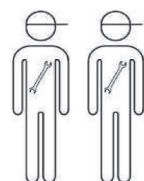
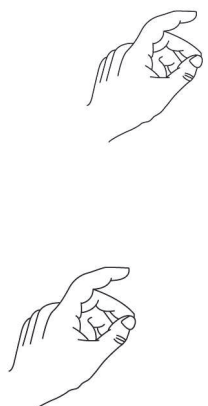
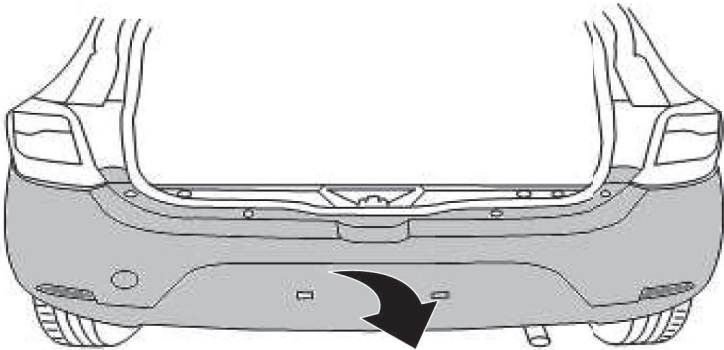
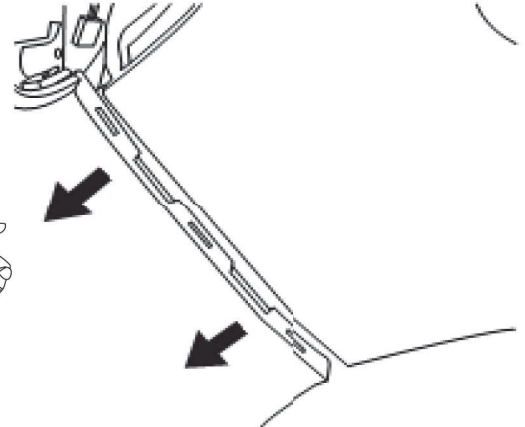
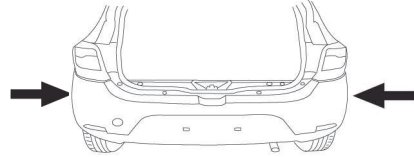


SANDERO  
SANDERO STEPWAY



08

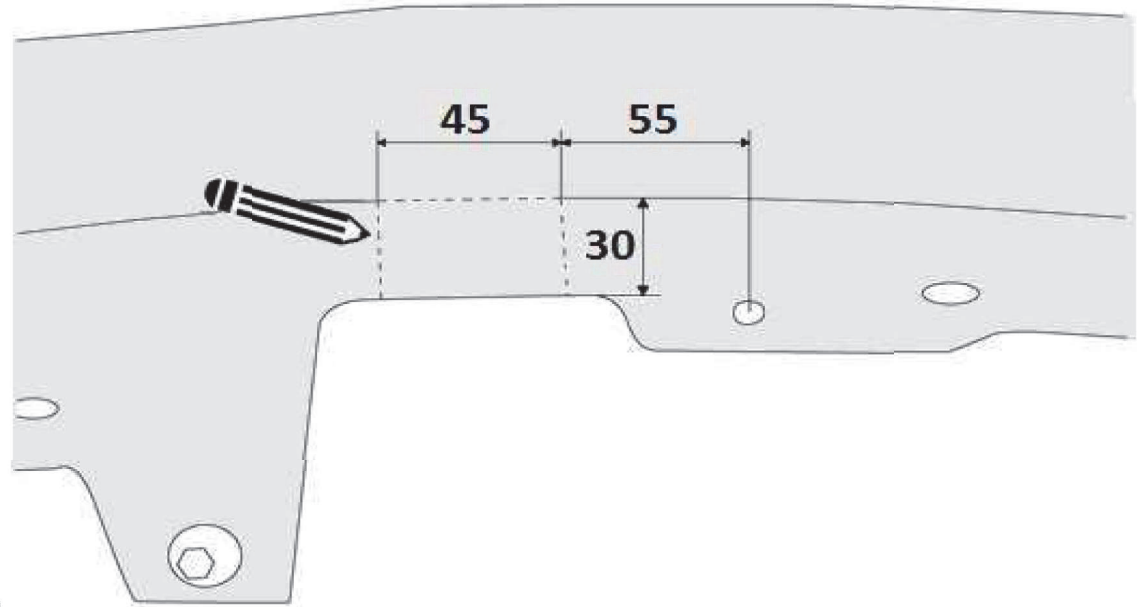
SANDERO  
SANDERO STEPWAY



09



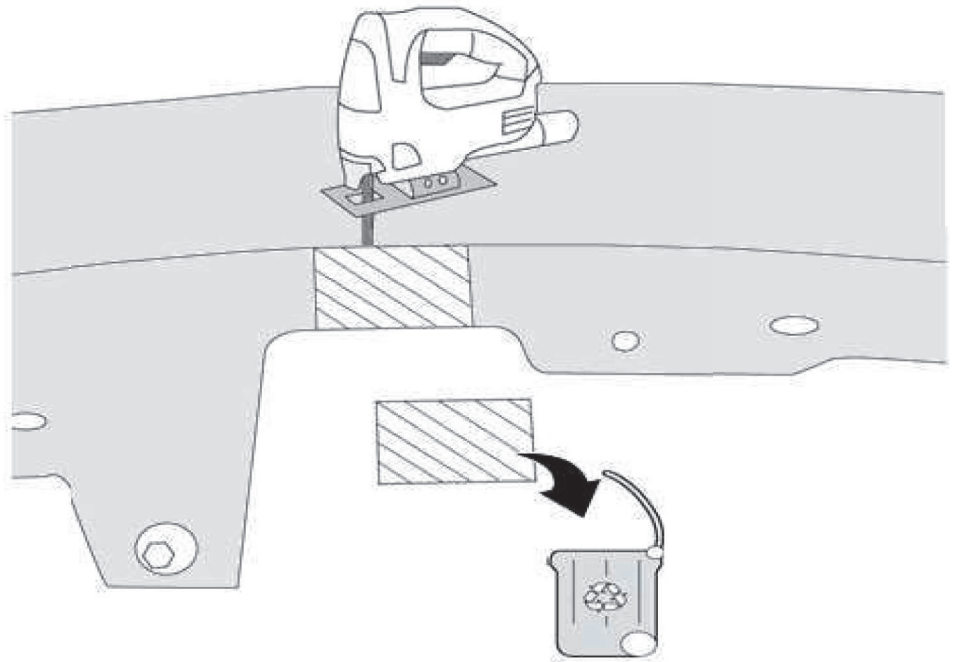
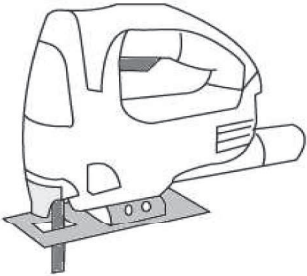
SANDERO



10



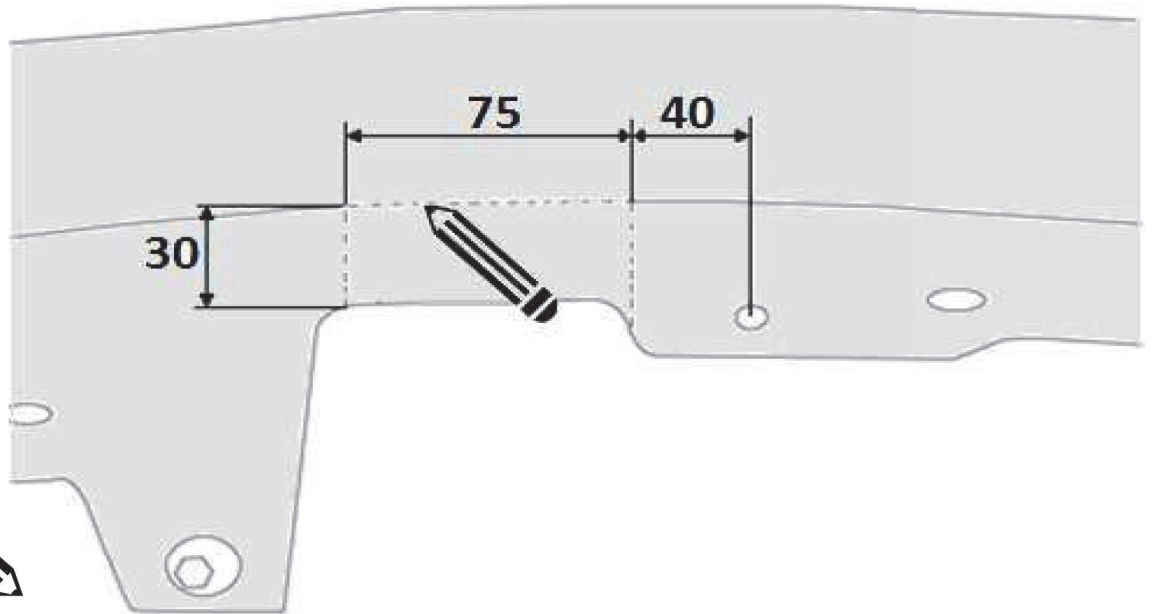
SANDERO



11



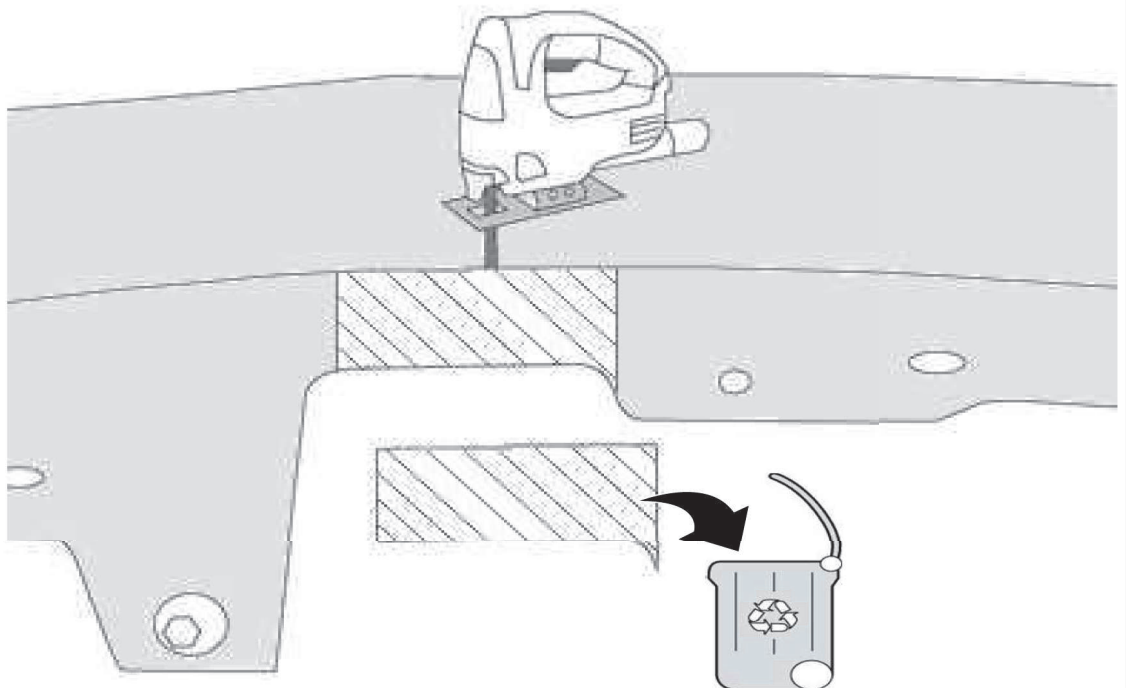
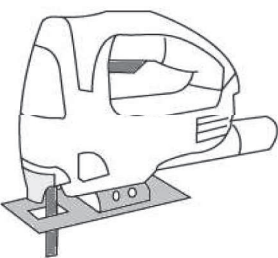
SANDERO



12



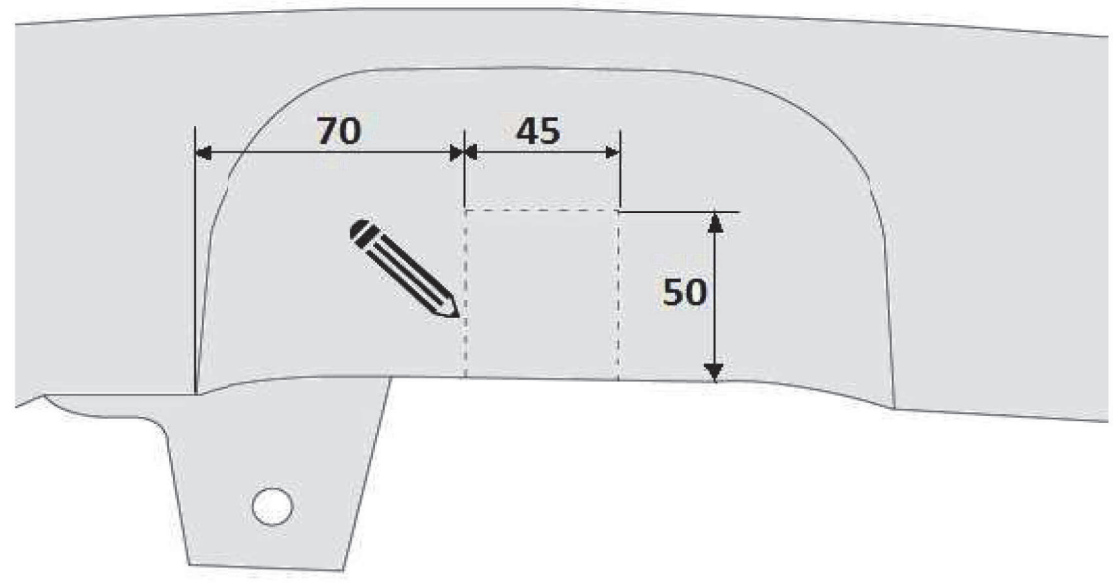
SANDERO



13



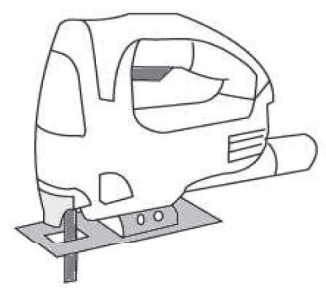
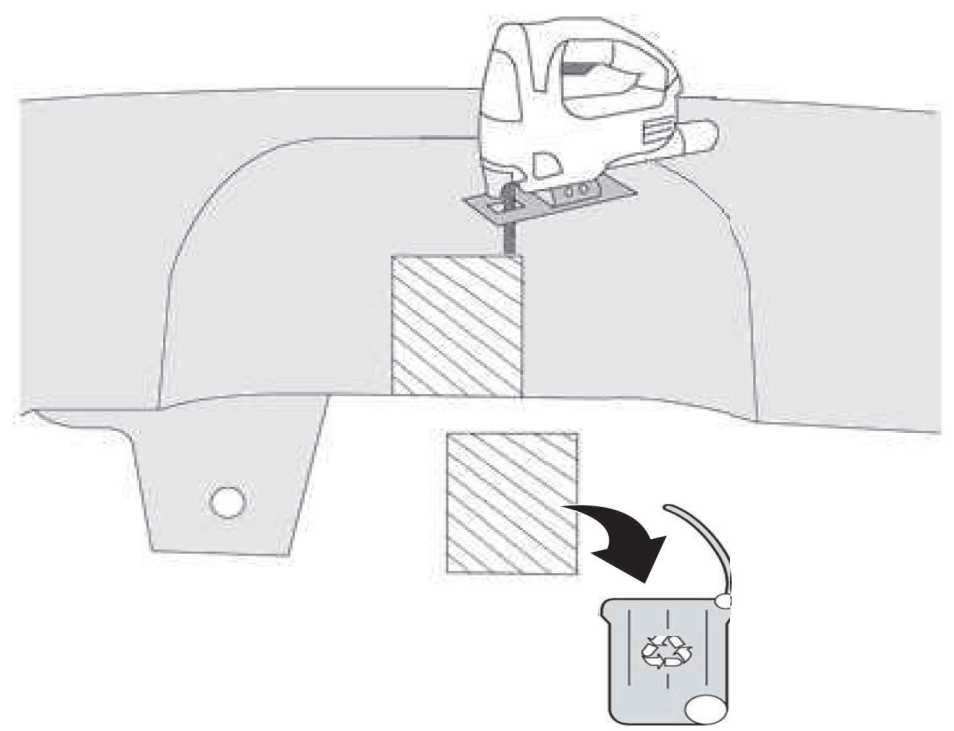
SANDERO STEPWAY



14



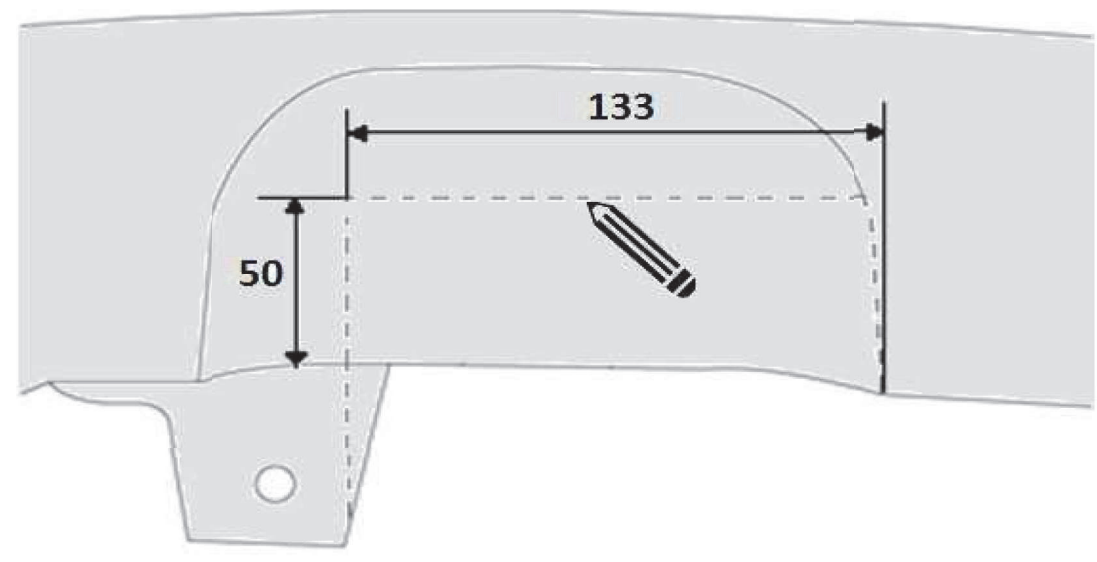
SANDERO STEPWAY



15



SANDERO STEPWAY

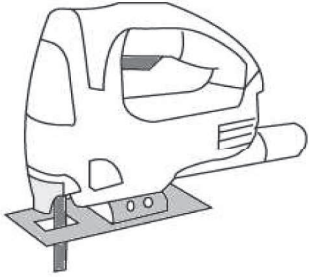
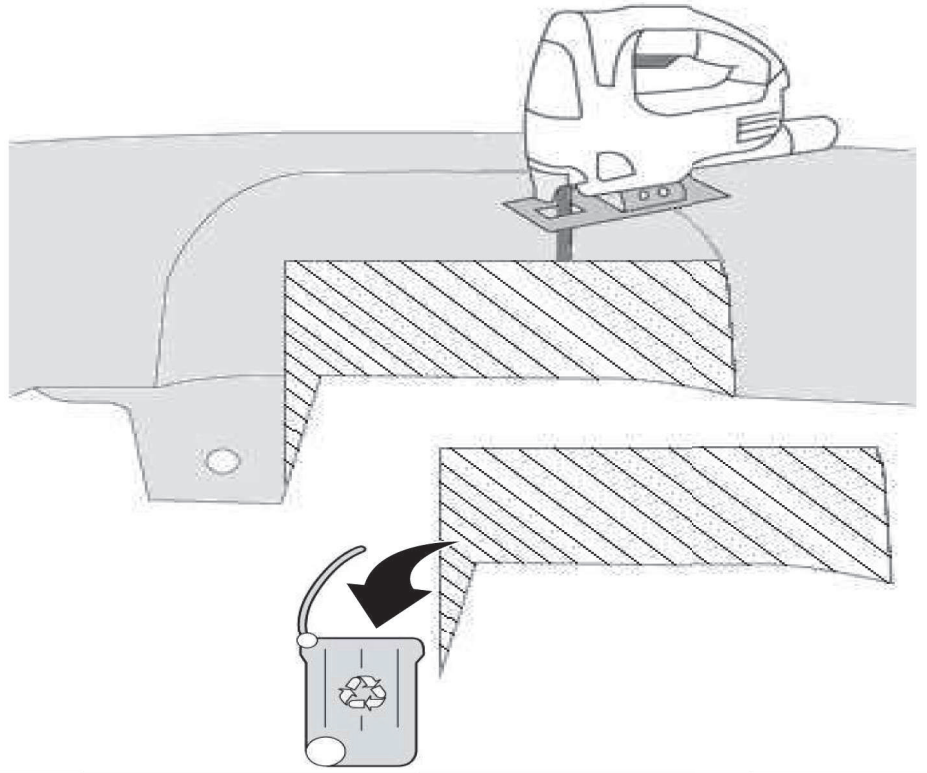




16

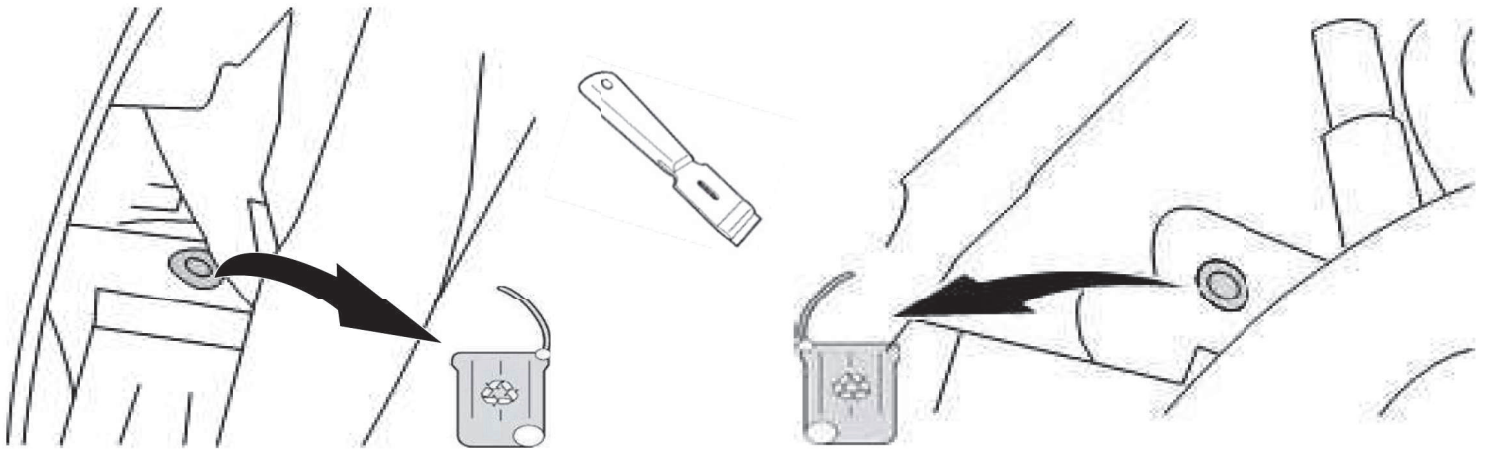
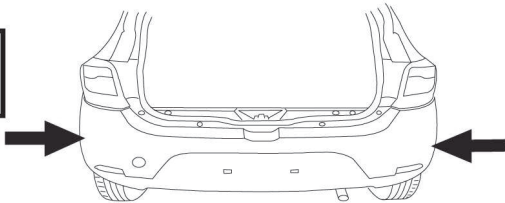


**SANDERO STEPWAY**



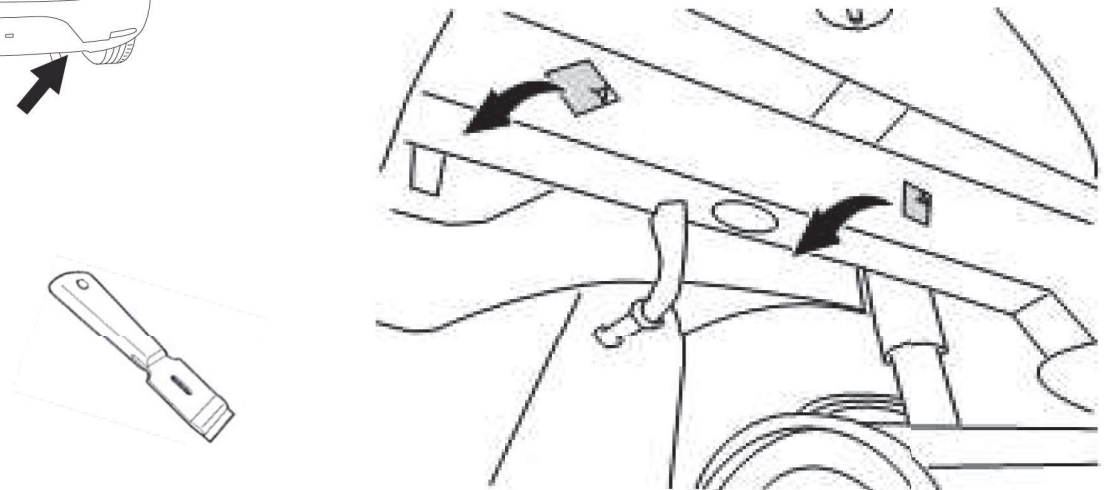
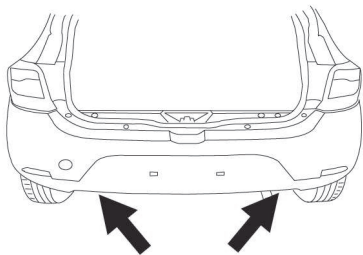
17

**SANDERO  
SANDERO STEPWAY**

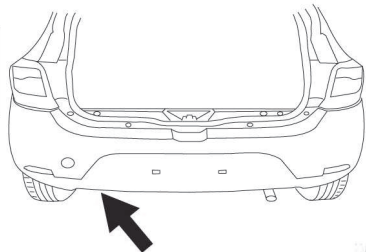


18

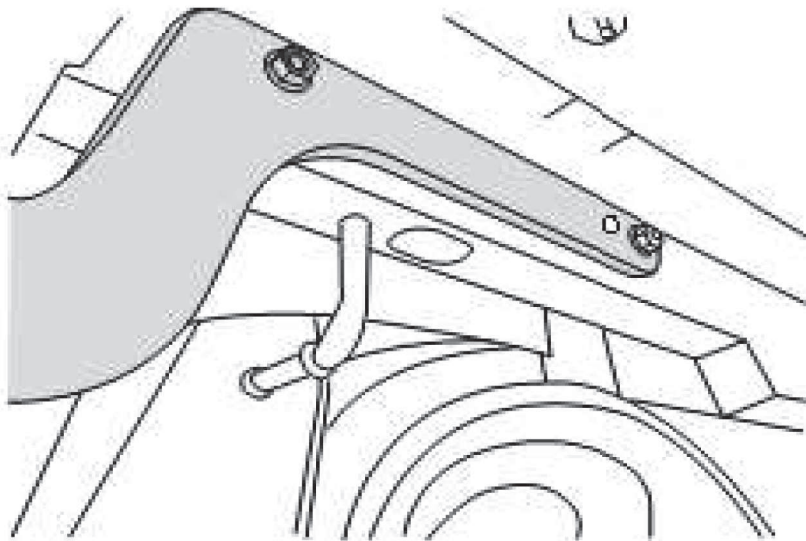
**SANDERO  
SANDERO STEPWAY**



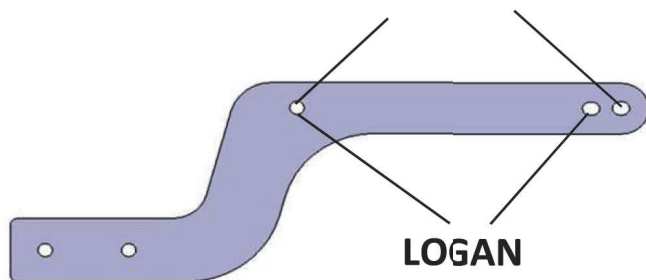
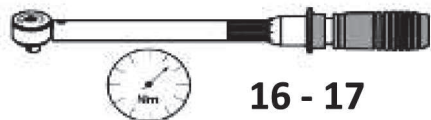
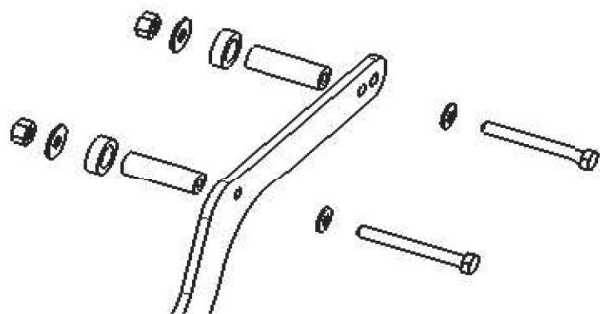
19



M10 - cl 8  
47 Nm

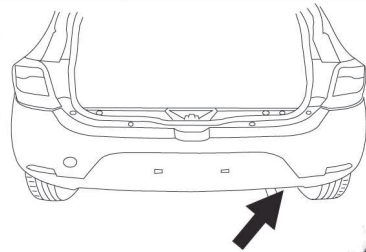


SANDERO STEPWAY

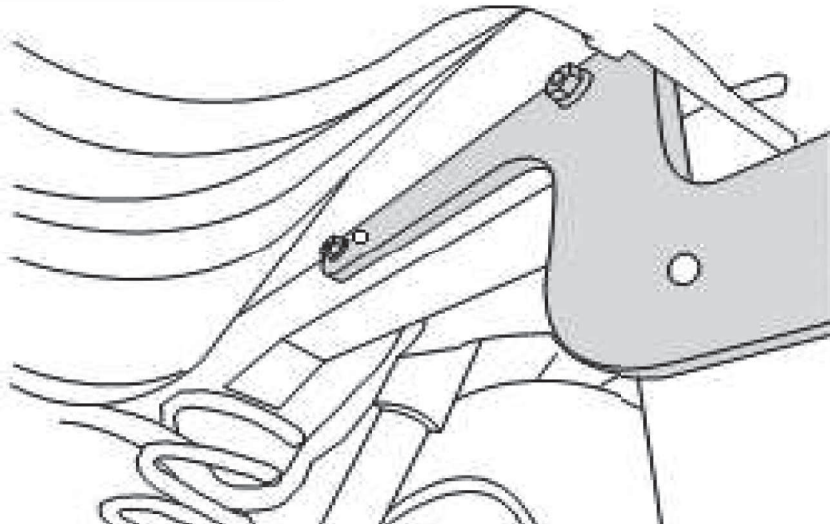


LOGAN

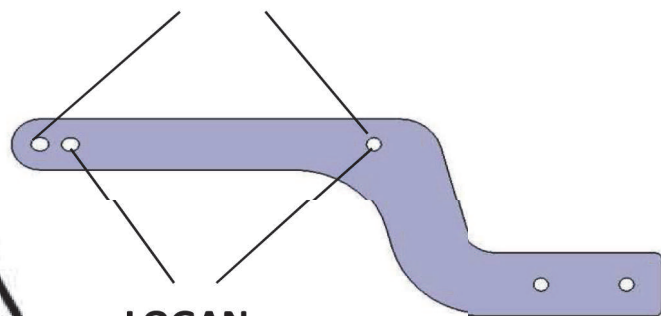
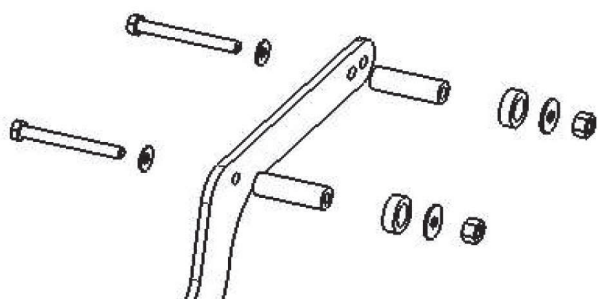
20



M10 - cl 8  
47 Nm

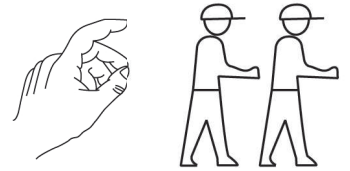
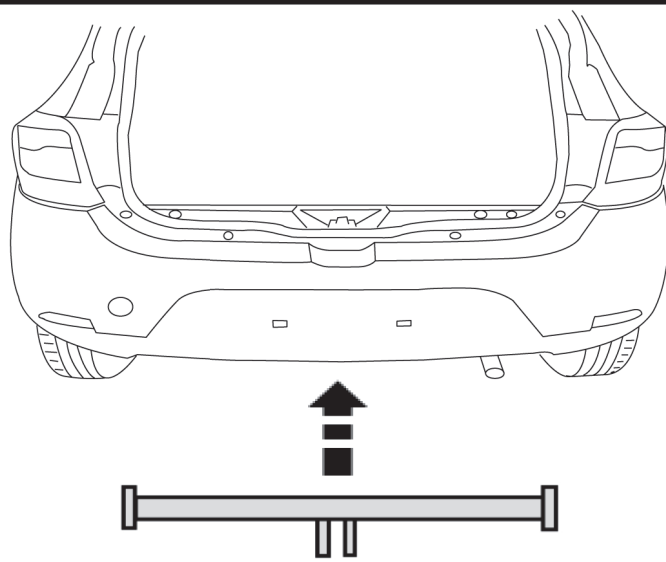


SANDERO STEPWAY

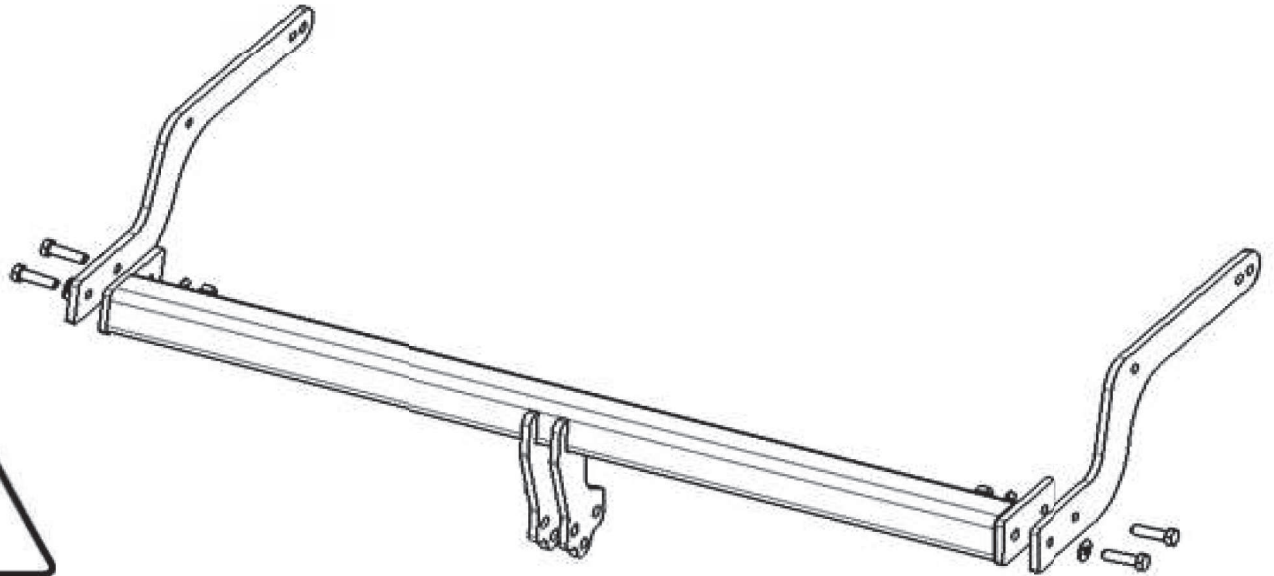


LOGAN

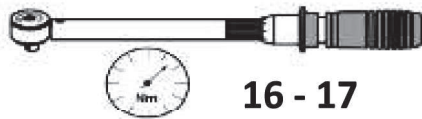
21



22



M10 - cl 8  
47 Nm

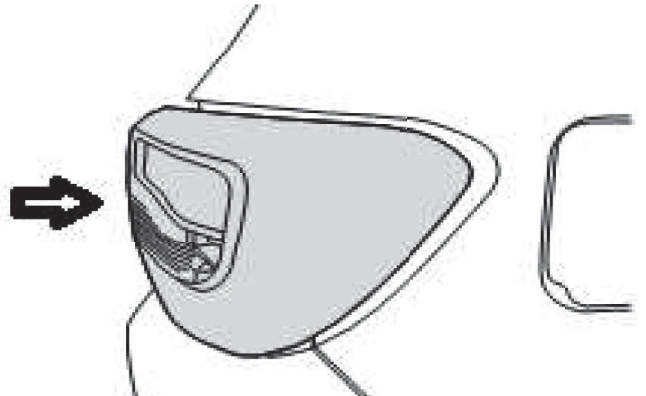
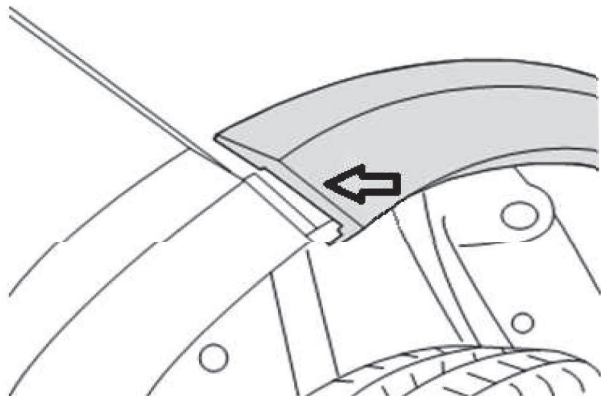
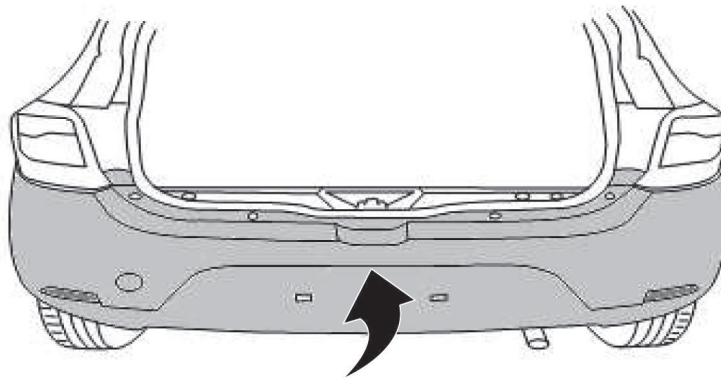


16 - 17



16 - 17

23

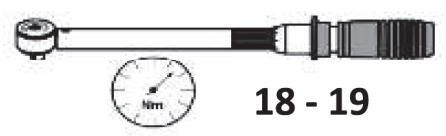
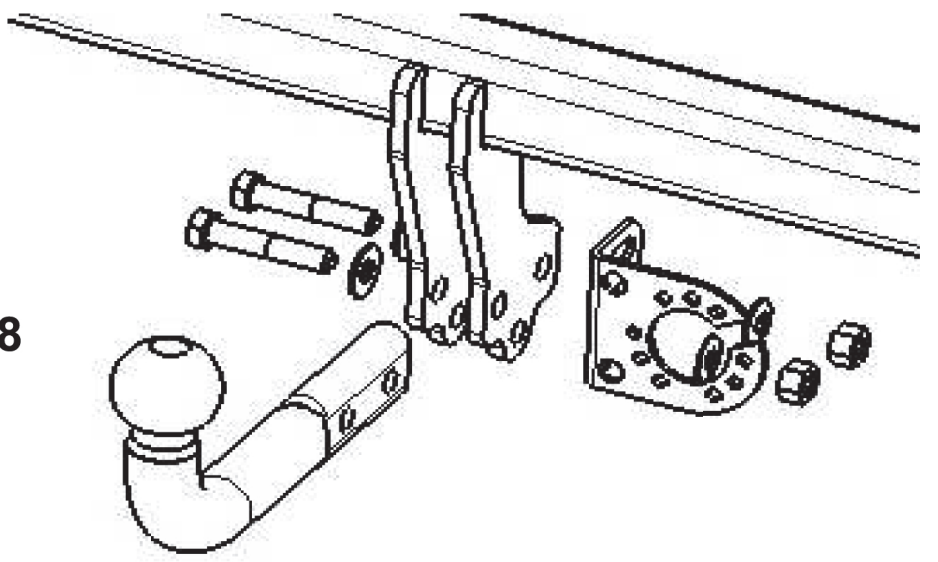




24



M12 - cl8  
81 Nm



25



M12 - cl 10  
114 Nm  
M12 - cl 8  
81 Nm

